

MACHEREY-NAGEL

User manual



Processing of 8-well strips under vacuum

- Starter Set A

December 2022 / Rev. 04

Table of contents

1 Contents	4
2 Product description	4
3 Handling	4
4 Appendix	8
4.1 Troubleshooting	8
4.2 Ordering information	8
4.3 Product use restriction / warranty	9

1 Contents

Starter Set A	
REF	740682
Column Holder A	2
NucleoSpin® Dummy Strips	12
User manual	1

2 Product description

The Starter Set A is designed for the manual use of the NucleoSpin® 8-well strips on the NucleoVac 96 (REF 740681), the Qiagen QiaVac 96, or for automation of the strips on common liquid handling instruments equipped with a standard 96-well plate vacuum chamber.

The set contains two Column Holders A to hold the NucleoSpin® 8-well strips and NucleoSpin® Dummy Strips to close the unused rows of the Column Holder A.

It allows flexible processing of the NucleoSpin® 8 kits by using one to six strips per run.

3 Handling

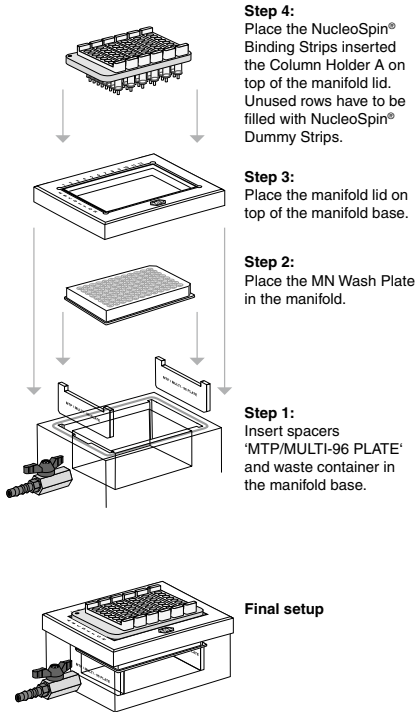
The desired number of 8-well strips is placed in the Column Holder A. Make sure that the 8-well strips are in the right orientation and attach to the column holder with a click. Unused rows of the column holder are closed with NucleoSpin® Dummy Strips. The column holder is then inserted into the lid of the NucleoVac 96 (see setup with NucleoSpin® Binding Strips, see page 5).

If using a kit with filter and binding strips (e.g., at the filtration step using the NucleoSpin® 8 Plasmid kit), the binding strips are inserted in one of the column holders. Empty rows are filled with NucleoSpin® Dummy Strips. The column holder is then placed onto the spacers 'MTP/MULTI-96 PLATE' inserted into the manifold base. The second column holder is loaded with the filter strips and inserted into the manifold lid. The manifold is then assembled (see setup with NucleoSpin® Filter Strips and NucleoSpin® Binding Strips, see page 6). After filtration, the lower column holder is transferred to the manifold lid for binding.

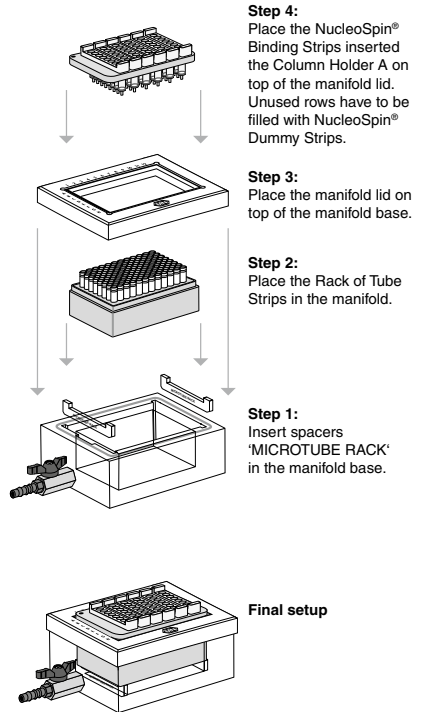
Elution is performed into a Rack of Tube Strips or an Elution Plate. Using the Elution Plate, spacers 'MTP/MULTI-96 PLATE' are needed. Please see the relating kit's user manual for more information regarding specific requirements.

Setup with NucleoSpin® Binding Strips

Binding / Washing / Washing in MTP

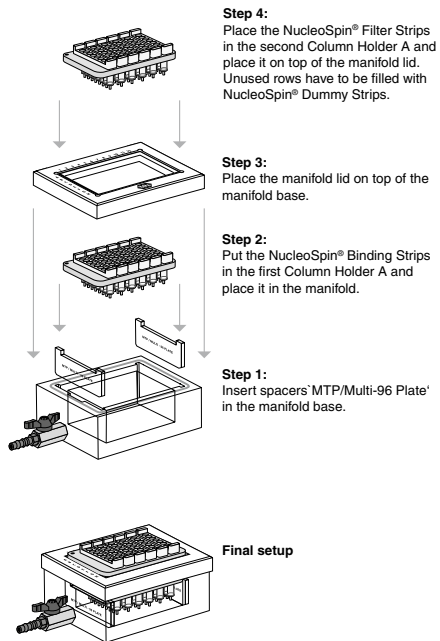


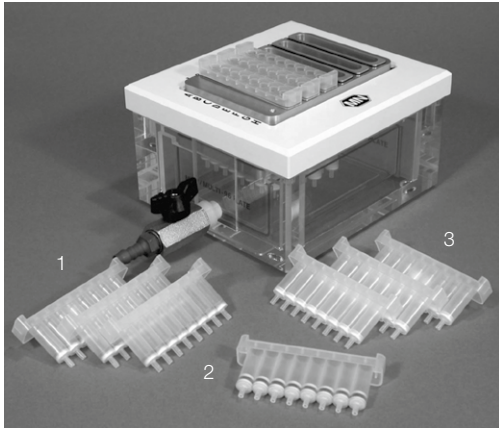
Elution step in Rack of Tube Strips



Setup with NucleoSpin® Filter Strips and NucleoSpin® Binding Strip

Lysate clearing





- 1 NucleoSpin® Filter Strips
- 2 NucleoSpin® Dummy Strip
- 3 NucleoSpin® Binding Strips

Figure 1 NucleoSpin® 8-well strips inserted in Column Holder A on top of the NucleoVac 96 Vacuum Manifold

Unused wells have to be filled with NucleoSpin® Dummy Strip

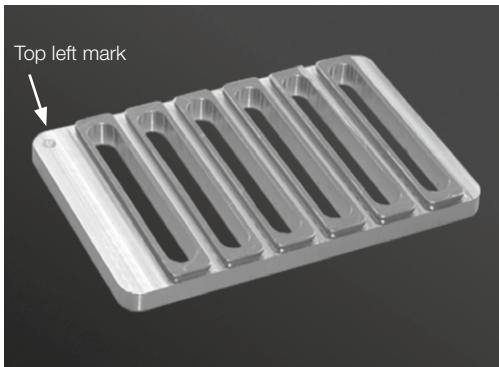


Figure 2 Column Holder A

(note top left mark for orientation)

4 Appendix

4.1 Troubleshooting

Problem	Possible cause and suggestions
Vacuum not sufficient	<i>Strips not inserted properly</i>
	<ul style="list-style-type: none"> Make sure that the strips are properly attached to the column holder and that the small gaskets sealing the strips are clean and intact.
	<i>Column holder not inserted properly.</i>
	<ul style="list-style-type: none"> Check gasket of the vacuum chamber and clean if necessary. Insert the column holder properly.

4.2 Ordering information

Product	REF	Pack of
Starter Set A (for processing NucleoSpin® 8-well strips on NucleoVac 96 Vacuum Manifold)	740682	1 set
NucleoSpin® Dummy Strips	740685	6
NucleoVac 96 Vacuum Manifold	740681	1
NucleoVac 96 Spacer Set	740247	1 set
Replacement parts for the NucleoVac 96 are available on request		
NucleoVac Vacuum Regulator	740641	1
Rack of Tube Strips (1 set consists of 1 rack, 12 strips with 8 tubes each, and 12 Cap Strips)	740637	5 racks
Square-well Block	740481	4
	740481.24	24
Self-adhering PE Foil	740676	50 sheets
Gas-permeable Foil	740675	50 sheets

Visit www.mn-net.com for more detailed product information.

4.3 Product use restriction / warranty

All MACHEREY-NAGEL products are designed for their intended use only. They are not intended to be used for any other purpose. The description of the intended use of the products can be found in the original MACHEREY-NAGEL product leaflets. Before using our products, please observe the instructions for use and the safety instructions from the respective Material Safety Data Sheet of the product.

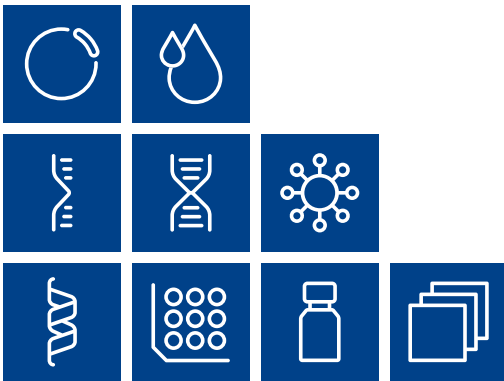
This MACHEREY-NAGEL product is carrying documentation stating specifications and other technical information. MACHEREY-NAGEL warrants to meet the stated specifications. The provided warranty is limited to the data specifications and descriptions as given in the original MACHEREY-NAGEL literature. No other statements or representations, written or oral, by MACHEREY-NAGEL's employees, agents or representatives, except written statements signed by a duly authorized officer of MACHEREY-NAGEL are authorized. They should not be relied upon by the customer and are not a part of a contract of sale or of this warranty.

Liability for all possible damages that occur in any connection with our products is limited to the utmost minimum as stated in the general business terms and conditions of MACHEREY-NAGEL in their latest edition which can be taken from the company's website. MACHEREY-NAGEL does not assume any further warranty.

Products and their application are subject to change. Therefore, please contact our Technical Service Team for the latest information on MACHEREY-NAGEL products. You may also contact your local distributor for general scientific information. Descriptions in MACHEREY-NAGEL literature are provided for informational purposes only.

Last updated: 08/2022, Rev. 04

Please contact:
MACHEREY-NAGEL GmbH & Co. KG
Tel.: +49 24 21 969-333
support@mn-net.com



MACHEREY-NAGEL

www.mn-net.com

MACHEREY-NAGEL GmbH & Co. KG · Valencienner Str. 11 · 52355 Düren · Germany

DE +49 24 21 969-0 info@mn-net.com

CH +41 62 388 55 00 sales-ch@mn-net.com

FR +33 388 68 22 68 sales-fr@mn-net.com

US +1 888 321 62 24 sales-us@mn-net.com

