



USER'S GUIDE

Thermal Printer

RP-D10 SERIES

Read this USER'S GUIDE carefully before using the printer.
Keep this USER'S GUIDE in a place where it can be accessed quickly.

Seiko Instruments Inc.

RP-D10 SERIES THERMAL PRINTER USER'S GUIDE

U00131353700

November 2013

Copyright ©2013 by Seiko Instruments Inc.

All rights reserved.

The information contained herein is the property of SII and shall not be reproduced in whole or in part without prior written approval of SII.

SII reserves the right to make changes in the specifications and materials contained herein without notice and shall not be responsible for any damages (including consequential) caused by reliance on the materials presented, including but not limited to typographical, arithmetic, and listing errors.

SII ● is a trademark of Seiko Instruments Inc.

All other trademarks are the properties of their respective companies.

Applicable EC Directive and Standards

Product: Thermal Printer RP-D10 (with AC adapter PW-E2427-W1)

| <u>Directive:</u> | <u>Title</u> |
|-------------------|---|
| 2004/108/EC | EC Electromagnetic Compatibility Directive |
| 2006/95/EC | EC Low Voltage Directive (with AC adapter only) |
| 2011/65/EU | Restriction of the use of certain hazardous substances (RoHS) Directive |

Standards

EN 55022
EN 61000-3-2
EN 61000-3-3
EN 55024
EN 60950-1 (with AC adapter only)
EN 50581

Product: AC adapter PW-E2427-W1

| <u>Directive:</u> | <u>Title</u> |
|-------------------|---|
| 2004/108/EC | EC Electromagnetic Compatibility Directive |
| 2006/95/EC | EC Low Voltage Directive |
| 2011/65/EU | Restriction of the use of certain hazardous substances (RoHS) Directive |

Standards

EN 55022
EN 61000-3-2
EN 61000-3-3
EN 55024
EN 60950-1
EN 50581

Federal Communications Commission (FCC) compliance statement

This equipment has been tested and found to comply with the limits for a Class A digital device, pursuant to part 15 of the FCC Rules. These limits are designed to provide reasonable protection against harmful interference when the equipment is operated in a commercial environment.

This equipment generates, uses, and can radiate radio frequency energy and, if not installed and used in accordance with the instruction manual, may cause harmful interference to radio communications. Operation of this equipment in a residential area is likely to cause harmful interference in which case the user will be required to correct the interference at his own expense.

Industry Canada (IC) compliance statement

Operation is subject to the following two conditions: (1) this device may not cause interference, and (2) this device must accept any interference, including interference that may cause undesired operation of the device.

1. INTRODUCTION

This manual describes how to handle RP-D10 thermal printer (hereinafter referred to as printer), specified AC adapter, specified AC cable, and other accessories.

Read through the "2. SAFETY PRECAUTIONS" and "3. OPERATING PRECAUTIONS" carefully before using the printer, and handle it safely and properly.

Keep this manual in a place where it can be accessed quickly.



See the technical reference for more detailed function and specifications on the printer.

This USER'S GUIDE consists of the following sections.

| | |
|--|----|
| 1. INTRODUCTION..... | 1 |
| 2. SAFETY PRECAUTIONS | 2 |
| 3. OPERATING PRECAUTIONS | 5 |
| 4. PREPARATION | 8 |
| 5. IDENTIFYING THE MODEL TYPE | 10 |
| 6. EACH PART OF PRINTER | 11 |
| 7. POWER CONNECTION | 14 |
| 8. THERMAL PAPER SETTING | 15 |
| 9. PREVENTION AND TREATMENT OF PAPER JAM | 20 |
| 10. TEST PRINT | 22 |
| 11. FUNCTION SETTING..... | 23 |
| 12. CONNECTING TO THE HOST DEVICE | 24 |
| 13. SETTINGS WHEN USING 58mm PAPER WIDTH | 27 |
| 14. WALL MOUNTING KIT (WLK-B01-1)..... | 30 |
| 15. PRINTER MAINTENANCE | 33 |
| 16. TROUBLESHOOTING..... | 34 |
| 17. SPECIFICATION..... | 35 |
| 18. ACCESSORIES AND CONSUMABLE PARTS | 38 |

2. SAFETY PRECAUTIONS

In this SAFETY PRECAUTIONS, the following symbols are used to ensure safe and proper use of products and prevent from damaging devices.

| | |
|--|--|
|  WARNING | Failure to follow the instructions marked with this symbol could result in severe personal injury or death. |
|  CAUTION | Failure to follow the instructions marked with this symbol could result in minor personal injury or property damage. |

About symbols



The symbol indicates information which you should pay attention to (including danger and warnings).



The symbol indicates information about prohibited procedures.



indicates "Disassembly is prohibited."















The symbol indicates information about obligated or instructed procedures.



indicates "Unplug the power plug from an outlet."

OPERATING PRECAUTIONS




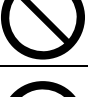


WARNING

| | |
|--|--|
| Never attempt the followings. Failure to follow the instructions leads to fire, electric shock, or accident. | |
|  | Do not insert any foreign objects such as a piece of metal or any liquid into the products. |
|  | Do not touch the metal parts of the terminal, AC plug, and DC plug. To avoid short circuits, prevent terminals of the products, AC plug, and DC plug from touching any conductor such as metal. |
|  | Take care not to spill liquid on the products. |
|  | Do not touch the products with wet hand. |
|  | Do not disassemble or reconstruct the products. |
|  | Use the printer only with specified AC adapter and AC cable. |
|  | Do not use an AC adapter with a voltage other than specified. |
|  | Keep the AC plug and the DC plug away from dust and metal objects. |
|  | Make sure the AC plug and DC plug are securely plugged in when using the products. |
|  | Do not destroy the AC cable, AC plug, and DC plug. Do not bend, pull, or twist the AC cable forcibly or place heavy staff on them. |
| Be sure to observe the following instructions. Failure to follow the instructions may lead to fire, electric shock, or accident. | |
|  | Be sure to use only in countries where the products meet the regulations. Using non-compliant products may endanger the safety of products or be considered against regulations. |
|  | Be sure to hold the plug when unplugging AC cable from an outlet. |

Procedures to take when in trouble

| | |
|---|---|
| Follow the instructions in the cases below. Failure to follow the instructions may lead to fire, electric shock, or accident. | |
|  | Turn the power off and unplug the AC plug from an outlet in any of the cases below: <ul style="list-style-type: none"> ◆ Abnormal status continues. ◆ The printer is giving off an unusual smell, smoke, excessive heat, or an unusual noise. ◆ A piece of metal, water, or other foreign objects get into the printer. ◆ Case is broken. |
|  | When AC cable is damaged, unplug the AC plug from an outlet. Do not use a damaged AC cable. |

CAUTION

| | |
|--|--|
| Observe the following instructions. Failure to follow the instructions may lead fire, electric shock, or accident. | |
|  | Turn the power off and unplug the AC plug from an outlet when not in use for a long time or before maintenance. |
|  | Do not use or store the products in the following locations: <ul style="list-style-type: none"> ◆ Locations exposed to direct sunlight or high temperature. ◆ Locations exposed to high humidity, a lot of dust, and liquid. ◆ Locations subject to strong vibration or unstable locations. |
|  | Do not cover the products with cloth when in use. |
|  | Do not touch the thermal head immediately after printing because it gets hot. Be sure to allow it to cool down before clearing a paper jam or cleaning its head. |
|  | The auto cutter printer has an exposed cutter blade in the paper outlet. Do not insert fingers into printer. Avoid touching the exposed blade while the printer cover is open. |
|  | Keep loose objects such as long hair away from the printer while the printer operates. When they fall into the printer, it may cause personal injury or damage the printer. |

3. OPERATING PRECAUTIONS

Follow the precautions below to use the printer properly in order to deliver and maintain the full performance of the printer.

■ Using the Printer

- ◆ Be careful not to drop or bump the printer on a hard surface.
- ◆ DO NOT install the printer in direct sunlight.
Be careful about the ambient temperature and humidity.
Suitable environment for the use of the printer is as follows:
 - Range of the temperature: 5°C to 45°C
 - Range of the humidity: 10%RH to 90%RHRefer to the technical reference for the certifiable humidity range at each temperature.
- ◆ DO NOT install the printer near devices that generate strong electromagnetic fields such as a copy machine motor.
- ◆ DO NOT install the printer in a location that is subject to corrosive gas or siloxane and so on.
- ◆ DO NOT connect the AC adapter or the AC cable to the same outlet with devices that generate noise.
- ◆ DO NOT open the paper cover during printing or cutting.
- ◆ DO NOT connect or disconnect the interface cable during printing or transmission. DO NOT touch the connectors of the interface cable during printing.
- ◆ Turn the power off when not in use.
In addition, when the printer is not used for a long time, unplug the AC plug from an outlet, and set thermal paper to protect the platen.
- ◆ Clean the printer case using soft, lint-free cloth. DO NOT use alcohol or other solvent.
- ◆ Before using, always clean the terminals using a dry, soft, lint-free cloth. When the terminals are dirty, it may cause contact failure.
- ◆ DO NOT touch the thermal head directly. Doing so may result in poor quality due to the dirt or damage by the static electricity.
- ◆ DO NOT use the thermal head when it is wet. Doing so may damage the printer.
- ◆ When cleaning the thermal head, wipe the thermal head with a cotton swab or other soft material.
- ◆ The AC adapter may get hot when in use. This is normal and is not a malfunction.
- ◆ Using the printer under low temperature environment or printing at a high print rate might cause unclear printing or generate loud sound. This is not a failure in the printer, but an inherent paper phenomenon.
- ◆ When handling the printer, be aware of static electricity. When the static electricity is discharged, this could cause a USB communication failure. When this problem occurs, disconnect the USB connector that is connected to the host device and wait a few seconds before connecting it again.
- ◆ DO NOT print without the thermal paper.

- ◆ DO NOT drop or insert any foreign objects such as a clip, a pin, or a screw in the internal parts or slot of the printer.
- ◆ DO NOT drop any liquid or spray a solvent to the printer.
- ◆ NEVER push the switch on the operation panel using sharp object such as pen tip.
- ◆ DO NOT use two or more thermal papers which are taped together.
- ◆ NEVER pull out the thermal paper when the thermal paper is set.
- ◆ Make sure not to injure your body or other objects by the plate edge.
- ◆ Unplug the DC plug or AC plug from an outlet when something goes wrong with the printer.
- ◆ NEVER disassemble the printer without a serviceman.
- ◆ Be careful not to get your fingers or hands caught in the printer when opening or closing the paper cover.
- ◆ In order to ensure the function and the safety of the product, be sure to observe the installation direction.
- ◆ DO NOT connect the RJ connector to a phone line. It should be used as the drawer kick connector.
- ◆ NEVER connect a USB cable to the RJ connector.
- ◆ As the plated sheet steel is used in the printer, the edge face might rust.
- ◆ When moving the printer from the installation site, hold the printer main body tightly with both hands, then lift it upward slowly to leave the rubber feet from the installation surface. Lifting it rapidly or moving it horizontally may peel the entire rubber feet, peel their surfaces, or damage the outer case.

■ Thermal Paper Handling

- ◆ Store the thermal paper in a cool, dry, and dark place.
- ◆ DO NOT rub the thermal paper with hard objects.
- ◆ DO NOT leave the thermal paper near organic solvents.
- ◆ DO NOT allow plastic film, erasers, or adhesive tape to touch the thermal paper for long periods.
- ◆ DO NOT stack the thermal paper with diazo copies immediately after copying.
- ◆ DO NOT use chemical glue.
- ◆ Always use the specified thermal paper. See "18 ACCESSORIES AND CONSUMABLE PARTS" for details.

■ Precautions on Discarding

When discarding used printers, discard them according to the disposal regulations and rules of each respective district.

■ Notations

The following two types of notations are used throughout this manual to denote operating precautions and items to remember:

NOTE

- ◆ Operating Precautions

This box contains items that, when not followed, may lead to a malfunction or to a deterioration of performance.

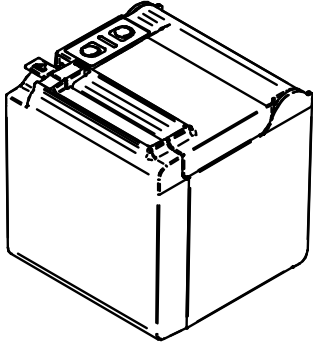
HINT

- Items to Remember

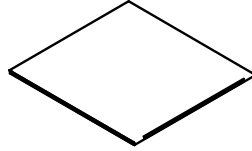
This box contains helpful hints to remember when using the printer.

4. PREPARATION

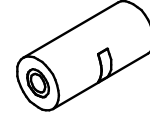
When you open the carton, make sure it contains the printer and its accessories.



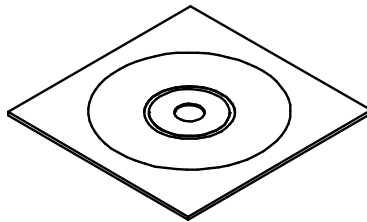
Printer



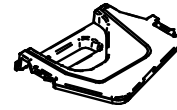
SAFETY PRECAUTIONS
(one sheet)



Sample thermal paper



USER'S GUIDE/
Various Software
(CD-ROM, one piece)



Partition plate R

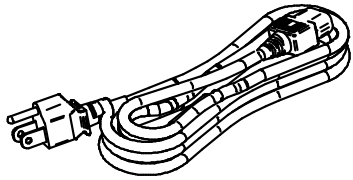


Partition plate L

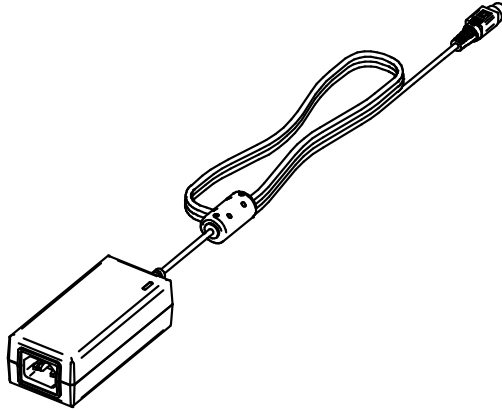
Models including the AC adapter, AC cable, and interface cable are also available.

Keep the package and packing materials for future transportation or long-term storage.
The available accessories are shown below.

See "5. IDENTIFYING THE MODEL TYPE" for the models which include accessories.



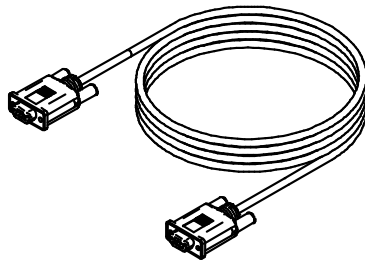
Specified AC cable
(the figure shows CB-US03-20A)



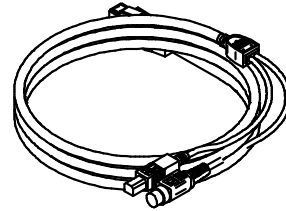
Specified AC adapter



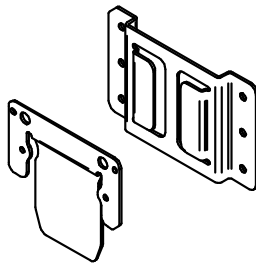
Specified USB cable



Specified serial cable



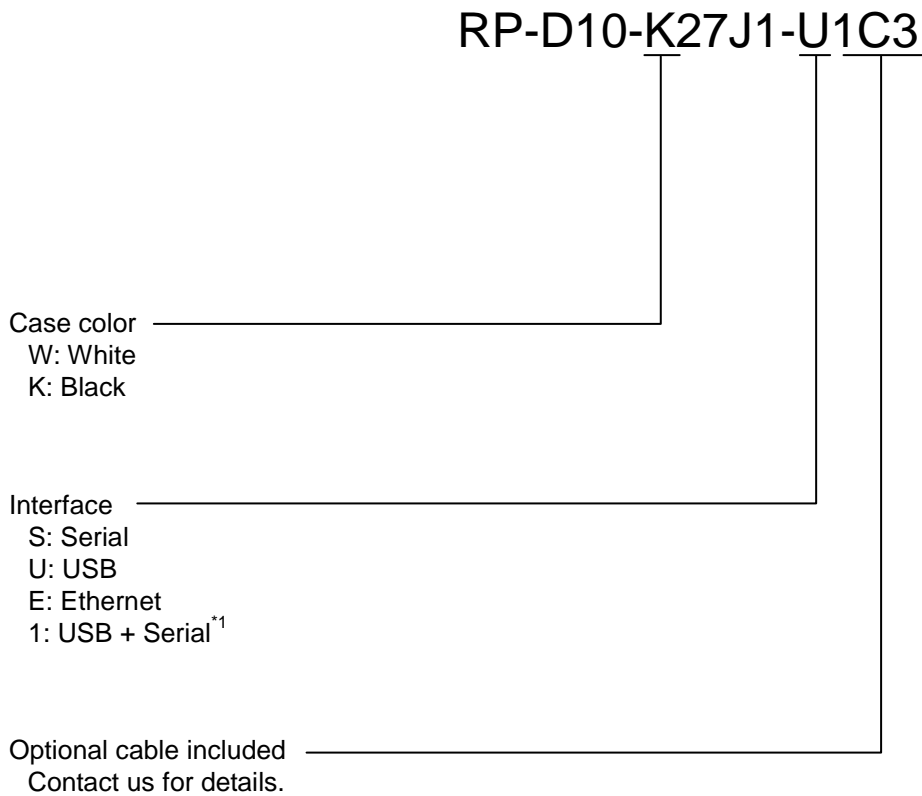
Specified Powered USB cable



Wall mounting kit

5. IDENTIFYING THE MODEL TYPE

The printer model is identified as follows:

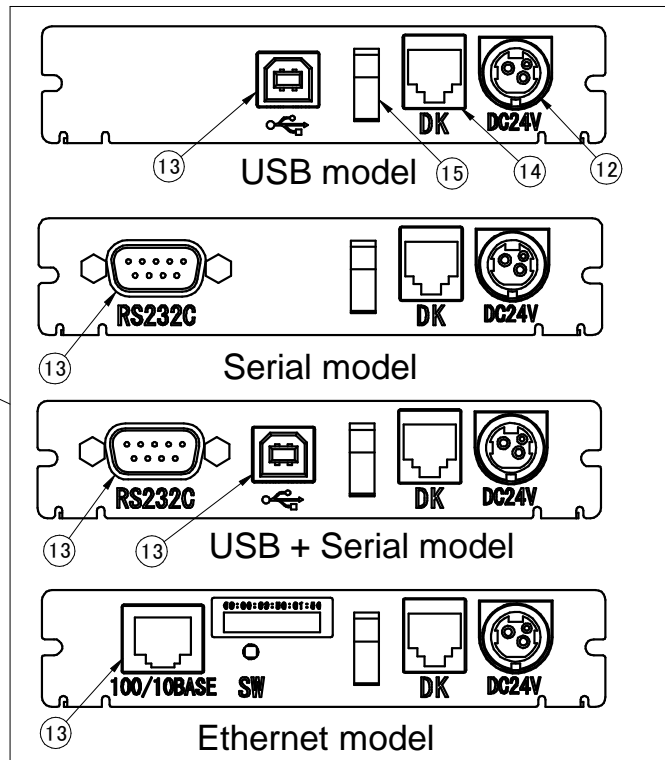
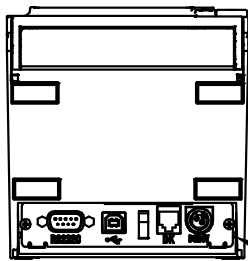
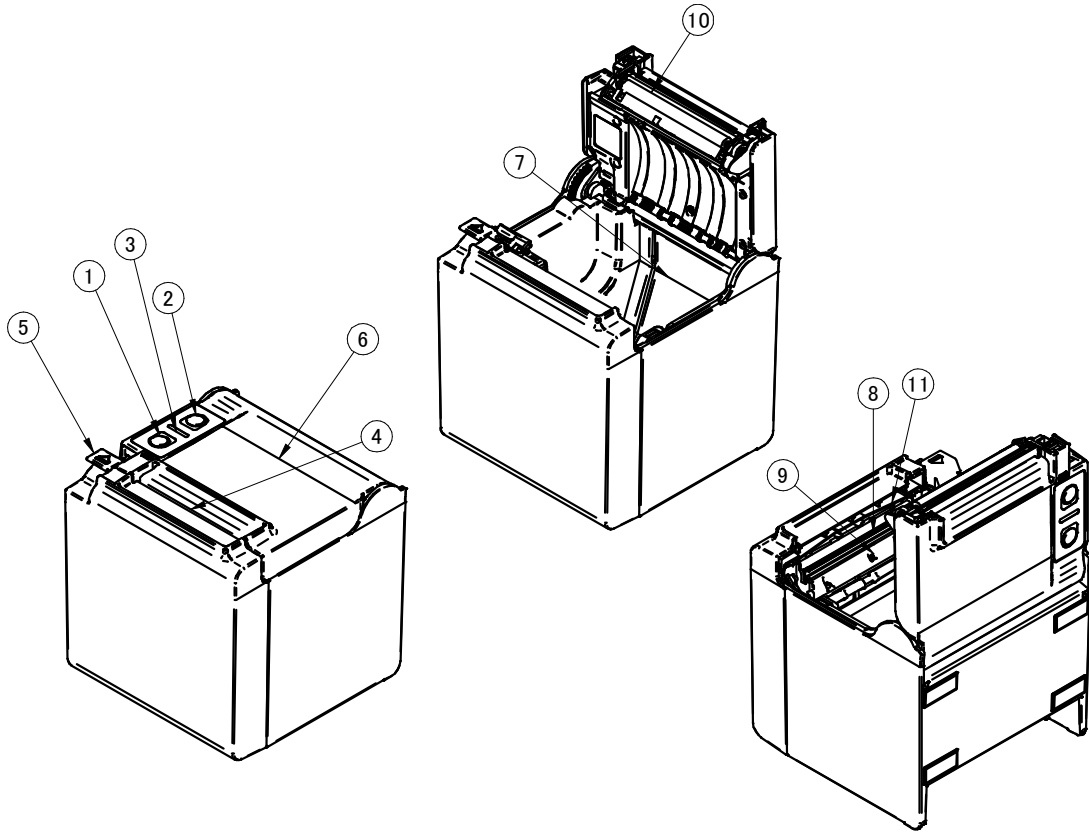


*1: Serial with power supply pins.

When the printer is incorporated into your equipment and then supplied electric power from the equipment, follow the rated value of input voltage for RP-D10 described in the specifications of "17. SPECIFICATION", and "2.3 POWER SUPPLY SPECIFICATIONS" in "RP-D10 SERIES THERMAL PRINTER TECHNICAL REFERENCE".

When using a power supply other than the specified AC adapter, use a power supply at your own risk under the safety standard and EMC regulations.

6. EACH PART OF PRINTER



1 POWER Switch

The POWER Switch turns the printer on or off. The LED lights when turning the power on. To turn the power off, hold down the switch for longer than three seconds.

2 FEED Switch

The FEED Switch feeds the thermal paper forward. When holding down the switch for a few seconds, the printer feeds the thermal paper continuously for the period of held.

3 LED

The LED lights when turning the power on. See "LED Display" on the next page for details.

4 Paper outlet

Thermal paper is ejected from here. The cutter is attached.

5 Release lever

The lever is used to open the paper cover to set the thermal paper. It is also used to open the paper cover when a paper jam occurs.

6 Paper cover

The platen is released from the thermal paper when opening this cover. Open this cover to replace the thermal paper or to clean the thermal head.

7 Paper holder

The paper holder holds the thermal paper.

8 Thermal head

The thermal head prints data on the thermal paper. NEVER touch the thermal head immediately after printing because it gets hot.

9 Paper sensor

The sensor that detects thermal paper existence.

10 Platen

The platen brings the thermal paper into contact with the thermal head. The platen is turned to feed the paper.

11 Cutter

The cutter cuts the thermal paper automatically after printing.

12 Power connector

The AC adapter is connected to here.

13 Interface connector

The interface cable is connected to here.

14 Drawer kick connector

The connector to connect the drawer.
Do not connect a phone line.

15 Wire clip


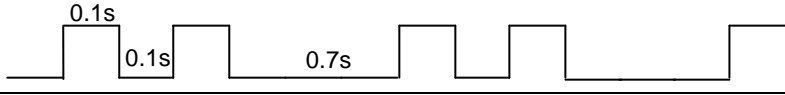
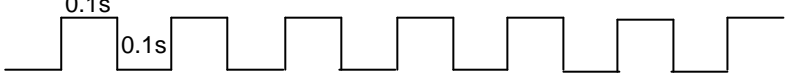
The communication cable can be fixed to prevent it from being unplugged.

■ LED Display

| LED Indication | LED (Color) | LED (Lighting Pattern) |
|------------------------|---------------------|------------------------|
| Power off | - | Off |
| Power on (print-ready) | Green ^{*1} | On |
| Printing | Green | On |
| Output buffer full | Green | Blink-1 |
| Out-of-paper error | Orange | Blink-2 |
| Cover open error | Orange | Blink-1 |
| Hardware error | Red | On |
| Head temperature error | Red | Blink-1 |
| Vp voltage error | Red | Blink-2 |
| Cutter error | Red | Blink-3 |
| Rewriting FW | Orange | On |

*1: Default value

■ Blink Pattern

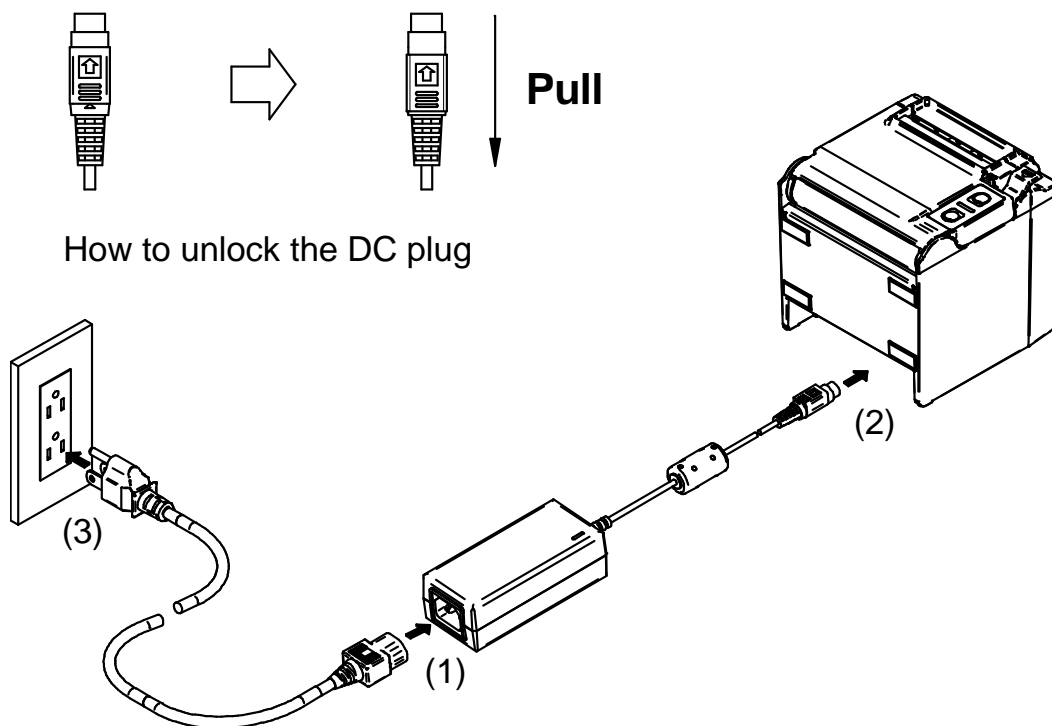
| State | Pattern |
|---------|--|
| Blink-1 |  |
| Blink-2 |  |
| Blink-3 |  |

7. POWER CONNECTION

This printer can be powered with an AC adapter.
Be sure to see "17. SPECIFICATION" for the AC adapter.

■ Connecting the AC Adapter

- (1) Connect the AC cable to the AC adapter.
- (2) Insert the DC plug of the AC adapter to the power connector of the printer.
- (3) Insert the AC plug of the AC cable to an outlet.



NOTE

- ◆ The DC plug of the printer power connector has the locking system.
Pull the DC plug to the opposite direction of the arrow shown in the front side of the DC plug to unlock.
Unlock the DC plug as shown in the figure before disconnecting it.
- ◆ Turn the power off before installing or removing the AC adapter.
- ◆ When the printer is not used for a long time, unplug the AC cable from an outlet.

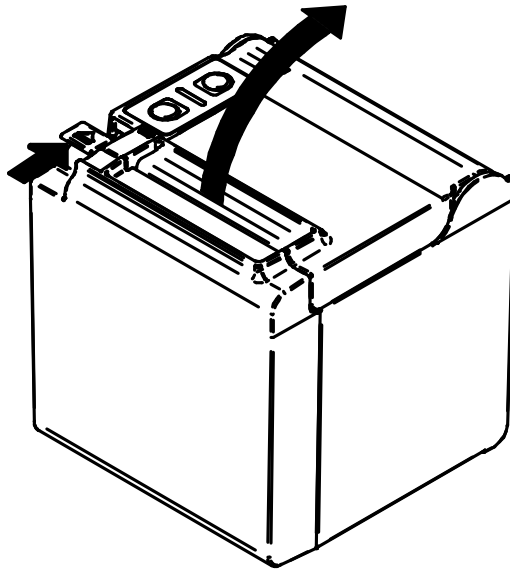
8. THERMAL PAPER SETTING

The printer uses the paper roll (hereinafter referred to as thermal paper). The Function Setting of the printer differs depending on the used thermal paper. See "11. FUNCTION SETTING" for details.

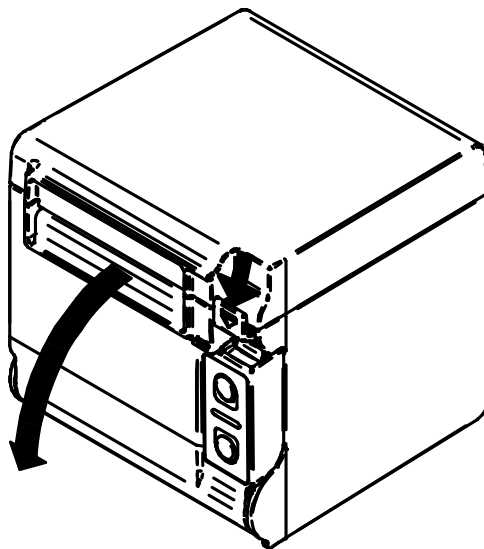
■ Thermal Paper Setting

(1) Operate the release lever to the direction of the arrow shown in the figure to open the paper cover.

■ Top eject

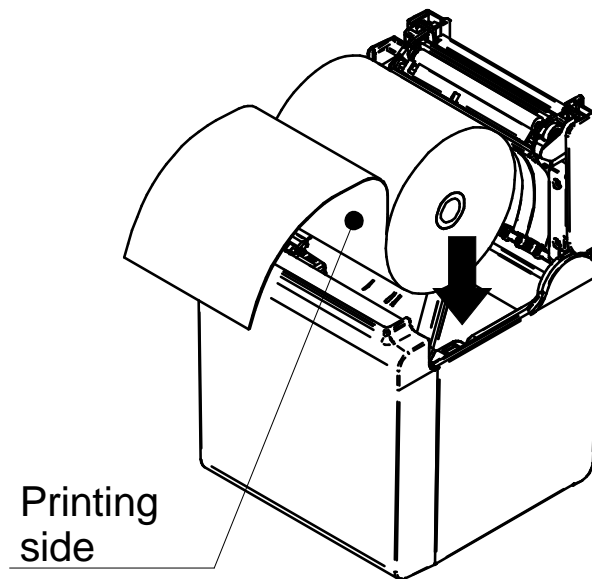


■ Front eject

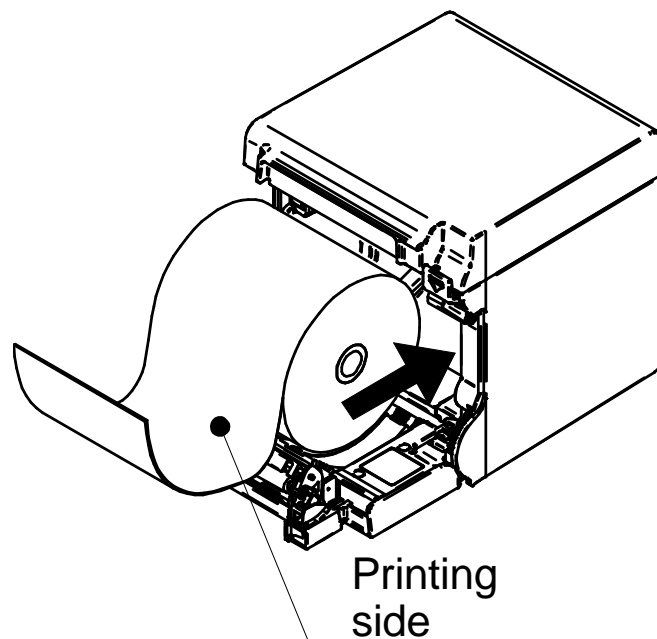


- (2) Take the glued end from the thermal paper.
- (3) Set the thermal paper from directly above to the paper holder. At the time, set the thermal paper direction as shown in the figure.

■ Top eject



■ Front eject

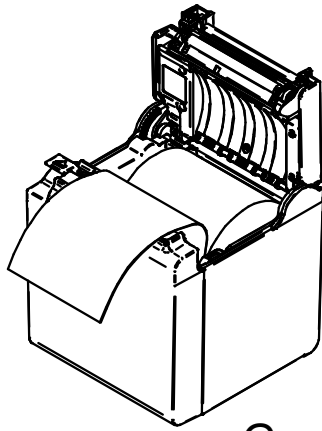


NOTE

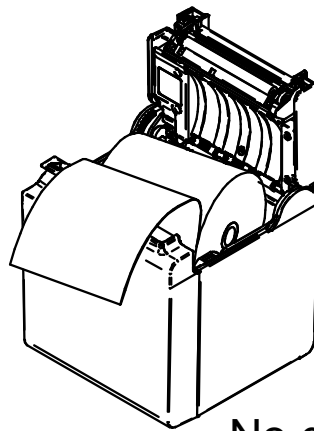
- ◆ Be careful not to cut your fingers by the cutter blade.

(4) Pull the thermal paper straight. Make sure that the thermal paper does not slant.

■ Top eject

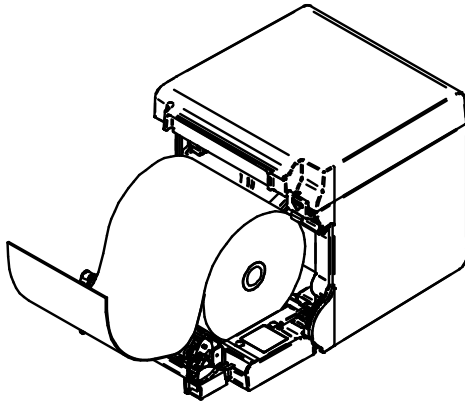


Good

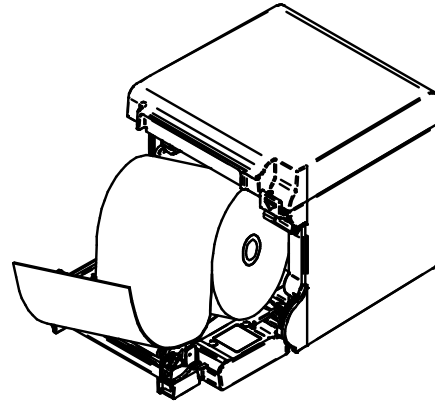


No good

■ Front eject



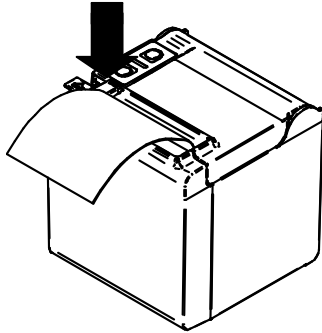
Good



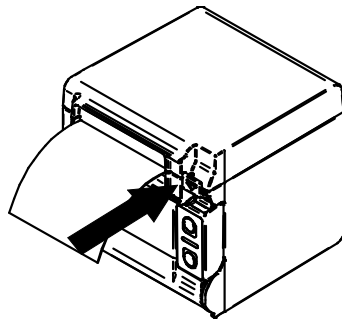
No good

(5) Push firmly the part indicated by the arrow in the figure below to close the paper cover to avoid one side lock defect.

■ Top eject



■ Front eject



NOTE

- ◆ Pull the thermal paper straight.
- ◆ Push the paper cover firmly to close and avoid one side lock defect.

(6) After closing the paper cover, paper feed and paper cutting are performed automatically.

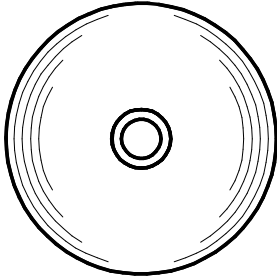
NOTE

- ◆ Be sure to operate the release lever to the end. When not, the paper cover may not open.
- ◆ DO NOT cover the paper outlet or hold down the thermal paper ejected. Doing so may cause paper jam.
- ◆ DO NOT touch the platen and gears in the printer. Doing so may cause loss of printing quality or damage.
- ◆ Use the thermal paper whose core is 12mm inside diameter and 18mm outside diameter. Moreover, DO NOT use the thermal paper with glued or taped end.

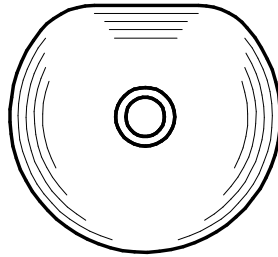
HINT

- Leaving the printer with the thermal paper for a long time may cause a paper-feeding problem because the surface of the thermal paper sticks to the thermal head due to the environmental changes. In that case, open the paper cover to separate the thermal paper from the thermal head, and then close the paper cover to use it.

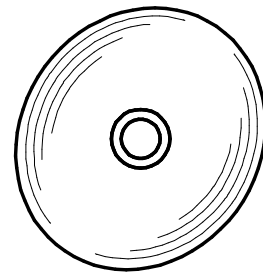
■ Thermal Paper Shape



Good



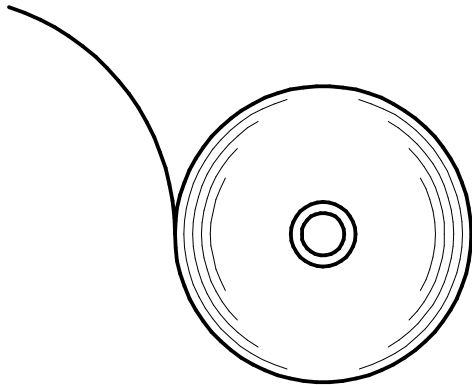
No Good



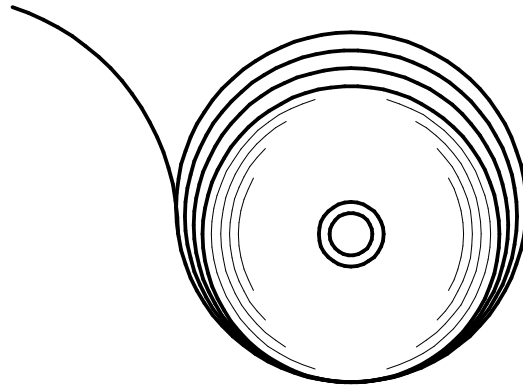
No Good

NOTE

- ◆ DO NOT use deformed thermal paper. Doing so may damage the printer.



Good



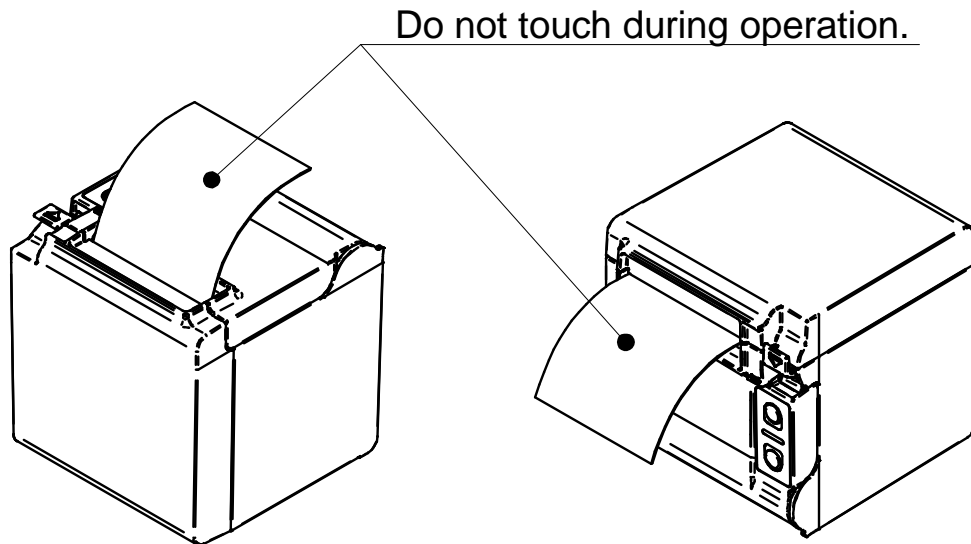
No Good

NOTE

- ◆ In case of using loosened thermal paper, rewind it before using.

9. PREVENTION AND TREATMENT OF PAPER JAM

Do not touch the thermal paper when ejecting or before paper cutting. Covering the paper outlet or pulling out the thermal paper when ejecting may cause a paper jam, a cut failure, or line feed failure. Never open the paper cover during paper cutting.



■ Removing Paper Jam

When a paper jam occurs, remove the thermal paper according to the following procedures.

- (1) Turn the power off.
- (2) Operate the release lever to open the paper cover, and remove the paper jam.

NOTE

- ◆ Do not damage the printer when removing the thermal paper.
Especially, do not touch the thermal head because it is easy to break.

- (3) Set the thermal paper straight and then close the paper cover gently.
- (4) Turn the power on.
- (5) When the printer is recovered, the LED lights in green.

NOTE

- ◆ NEVER touch the thermal head immediately after printing because it may get hot.

■ Cutter Error Treatment

When the motor is locked during paper cutting due to a cutter error and the paper cover does not open, recover the printer according to the following procedures.

- (1) Turn the power off.

NOTE

- ◆ Be sure to turn the power off before handling a cutter error.

- (2) Operate the release lever repeatedly to the end while holding the paper cover to retract the cutter blade. Then, open the paper cover. When you find a paper jam, remove it.
- (3) Set the thermal paper straight and then close the paper cover gently.
- (4) Turn the power on.
- (5) When the printer is recovered, the LED lights in green.

NOTE

- ◆ DO NOT use a ballpoint pen, driver, or cutter knife, etc. to remove a paper jam. Be careful not to damage the printer.
Especially, do not touch the thermal head because it is easy to break.
- ◆ Be careful not to cut your fingers or be injured by the cutter blade.
- ◆ DO NOT apply excessive force on the cutter blade.

10. TEST PRINT

The printer has a test print function.

In test print, the Function Setting of the printer and character strings for testing are printed.

- (1) Make sure that the thermal paper is set in the printer and the power is turned off. When the thermal paper is not set, set the thermal paper as instructed in "8. THERMAL PAPER SETTING", and turn the power off.
- (2) Turn the POWER Switch on while holding down the FEED Switch. Release the FEED Switch after initializing the printer. (The LED lights in green.)
- (3) Test print starts.

```
RP series Interface
RP-D10 [ Ver X.XX ]
DD.MMM.YYYY
Copyright (C):SII

* MS1 *
4) Standby LED:Green
7) Auto Activation by AC:Enable
8) Power SW:Enable

* MS2 *
1-2) Buzzer Count:None
3-4) Buzzer Pattern:Pattern1
5) Buzzer Volume:Loud

* MS3 *
1-2) Buzzer Count:None
3-4) Buzzer Pattern:Pattern1
5) Buzzer Volume:Loud

* MS4 *
1-2) Division Method:288[dots]
3) Head Drive:Dynamic
4) Paper Width:80mm
5) Effective Dots:576[dots]
7-8) Print Speed:High

* MS5 *
1) Auto Status Back:Enable
2) Init.Response:Enable
3) Error Through:Enable
4) Response Data Discarding:Disable
6-7) Paper Set Handle:Standard
8) Cutting Method:Full

* MS6 *
1-8) Print Density:100%

* MS7 *
1-8) Thermal Paper:KT 48 FA

* MS13 *
1) Kanji Code:JIS Code
2) Reverse Function:Disable
3) Realtime Command:Enable

* MS17 *
1-2) Paper Saving:Disable

* Communication Type *
USB Communication
Control Model:RP-D10
USB Device Class:Printer

* Font Information *
JIS X 0208-1997 Font Exist
Gaiji Font enable
Down-load Font enable
Character Code Table:Code Page437
International Character:USA

* Serial Number Information *
XXXXXXXXX
XXXXXXXXX
```

11. FUNCTION SETTING

It is possible to preset the communication method or the type of thermal paper after the power on. Set these functions before using the printer.

The Function Setting of the printer are stored in the FLASH memory. They are effective until rewriting them again. You can set these functions by using the Memory Switch (hereinafter referred to as MS) MS1 to 7, 13, 15 to 17, and 40.

See "RP-D10 SERIES THERMAL PRINTER TECHNICAL REFERENCE" for details.

12. CONNECTING TO THE HOST DEVICE

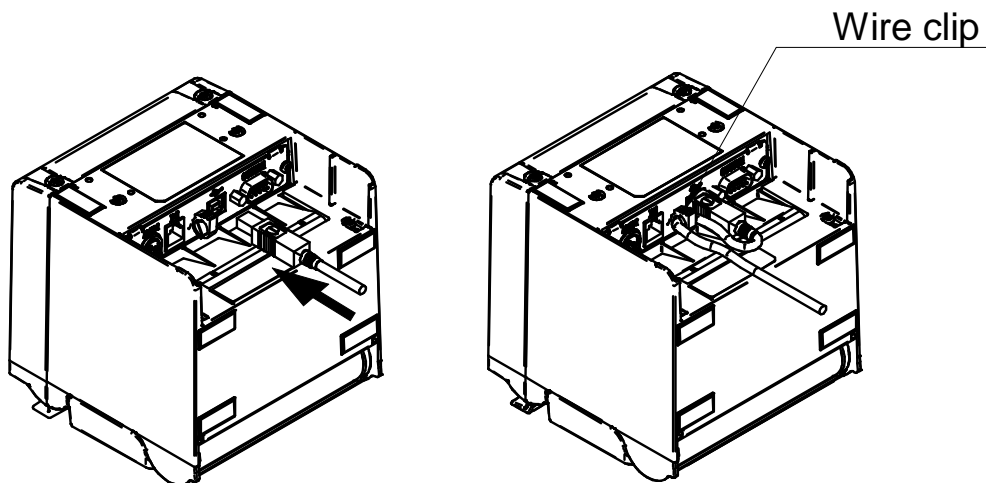
The printer supports the serial, USB, USB + Serial, or Ethernet communication, depending on the model, through an interface cable. The Function Setting of the printer differs depending on the communication method used. See "RP-D10 SERIES THERMAL PRINTER TECHNICAL REFERENCE" for detail.

An interface cable is required separately for the serial, USB, or Ethernet communication. See "17. SPECIFICATION" for details of interface specifications.

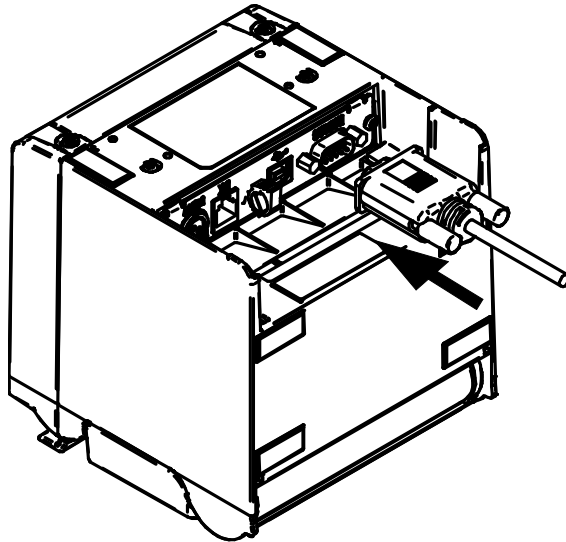
The communication speed may be decreased depending on processing by software as well as print contents.

■ Serial/USB/Ethernet Communication through Interface Cable

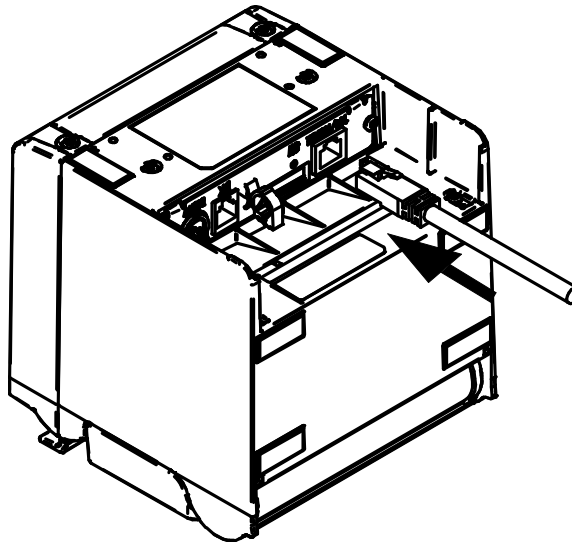
- (1) Turn the power off.
- (2) Connect the interface cable to use to the interface connector on the back side of the printer.
(When connecting a USB cable, lock the cable with the wire clip as shown in the figure below.)
- (3) Turn the power on and send data from the host device to the printer.
- (4) Verify that the data is printed correctly.



Interface Cable for USB Communication and Locking of USB Cable



Interface Cable for Serial Communication



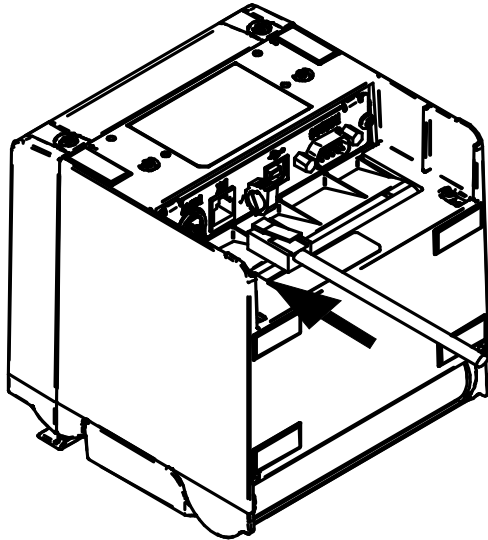
Interface Cable for Ethernet Communication

NOTE

- ◆ When connecting an interface cable to the interface connector, push it until it clicks.
- ◆ NEVER connect plugs of other cables including drawer kick cable or phone line to the interface connector.
- ◆ When connecting an outdoor aerial-wired LAN cable, be sure to use it through another anti-surge device. Otherwise, the device may be damaged by induced lightning.

■ Connecting to the Drawer

- (1) Turn the power off.
- (2) Connect the plug of drawer kick cable to the drawer kick connector on the back side of the printer.
- (3) Turn the power on.

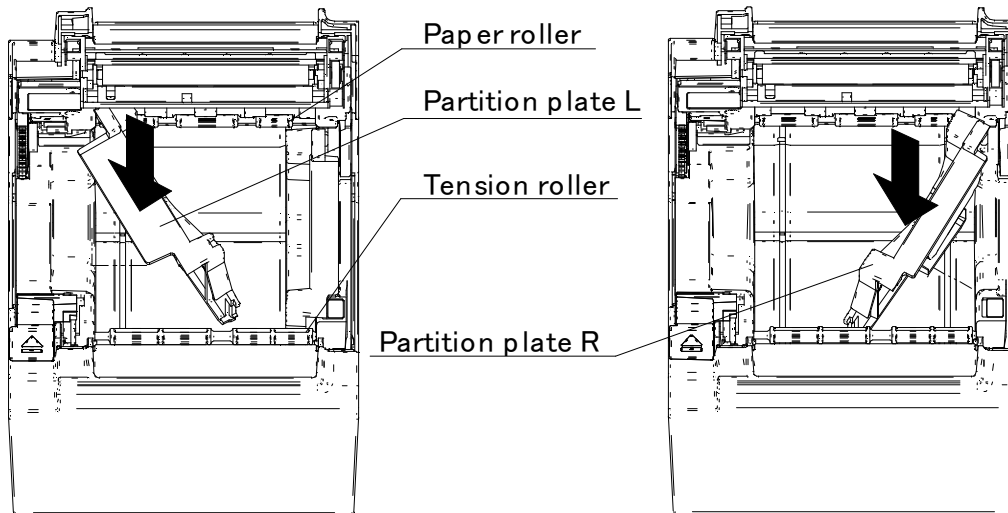


NOTE

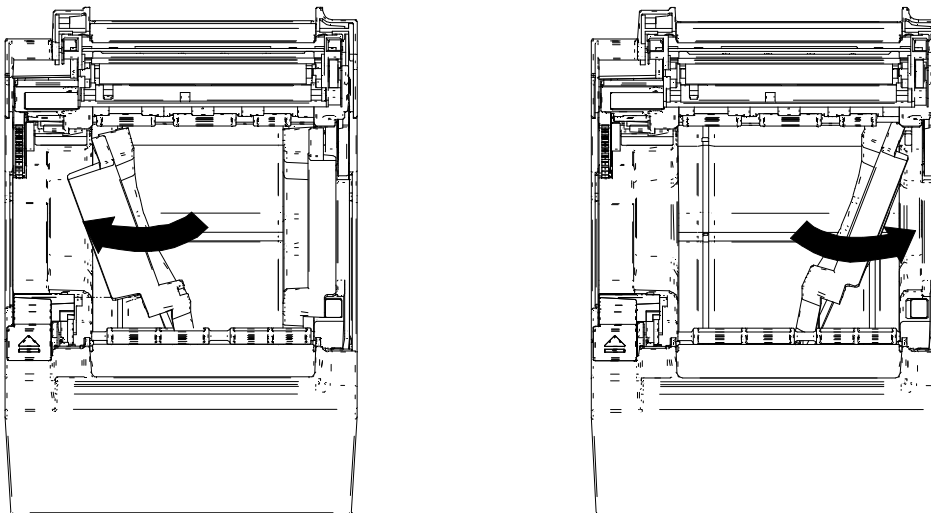
- ◆ When connecting or disconnecting the drawer kick cable, hold the plug and never pull the cable.
- ◆ DO NOT connect other cables than a drawer kick cable to the drawer kick connector, such as phone line.
- ◆ NEVER connect a USB cable to the drawer kick connector.

13. SETTINGS WHEN USING 58mm PAPER WIDTH

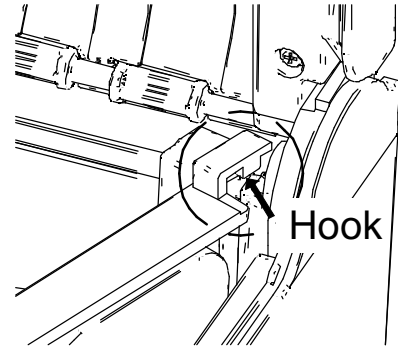
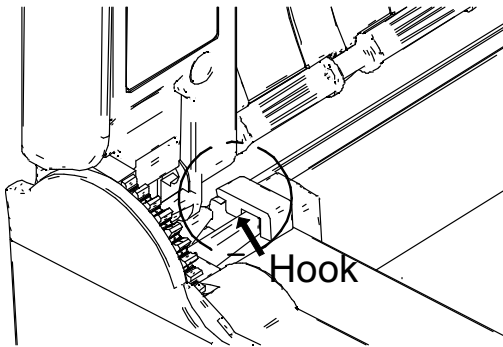
- (1) Turn the power off.
- (2) Operate the release lever to open the paper cover.
- (3) Put the attached partition plate R or partition plate L into the paper holder with slanting position as shown in the figure below.



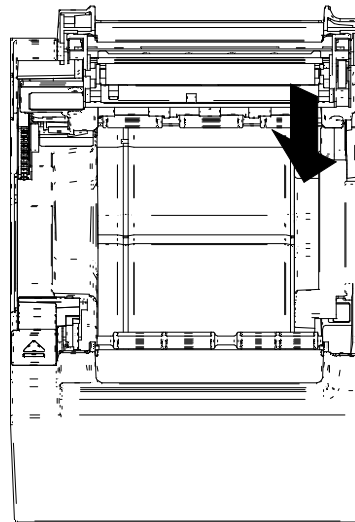
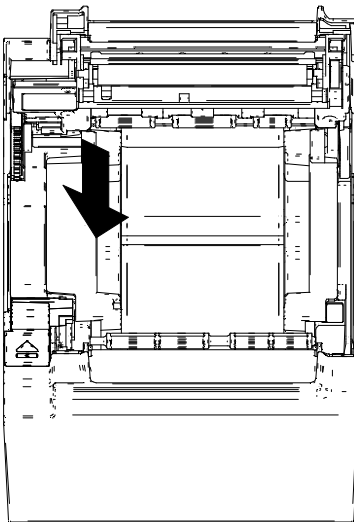
- (4) Rotate the partition plate R or partition plate L within the paper holder in the direction of the arrow shown in the figure below to make the side surface of the paper holder and the partition plate in parallel.



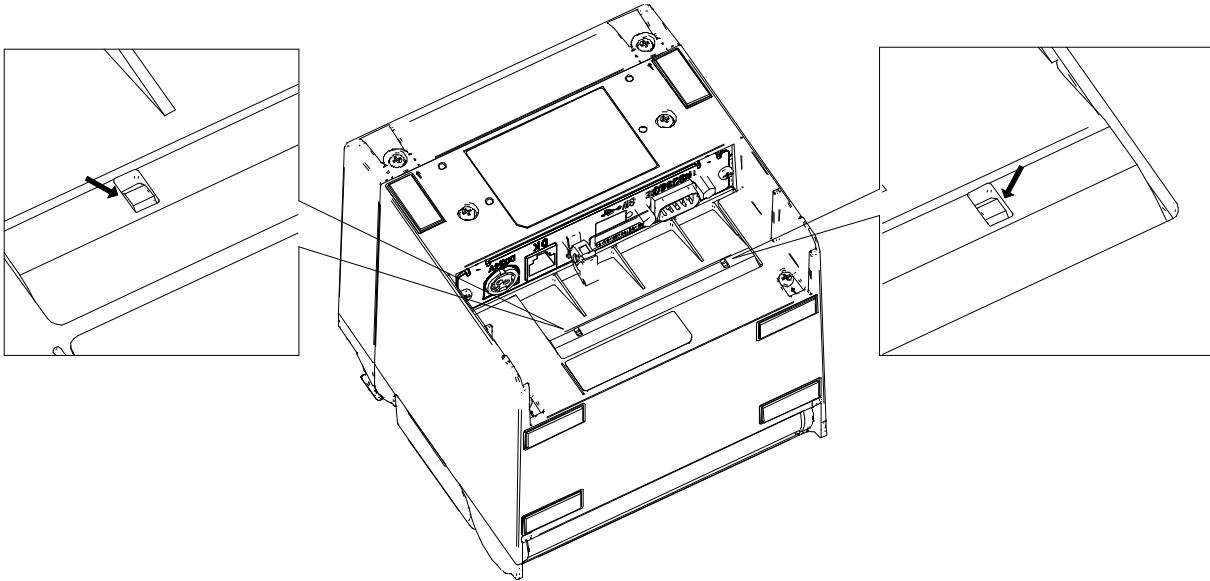
- (5) Put the hook which is located on the upper side of the partition plate R or partition plate L on the hole of paper holder as shown in the figure below.



- (6) Push the partition plate R or partition plate L to the direction of the arrow shown in the figure below with placing them along the side surface of the paper holder, and then put the projection which is located at the bottom of the partition plate in the hole of the paper holder.



- (7) Turn the printer over, and make sure that the projection of the partition plate R or partition plate L is fit properly into the hole of the paper holder (the arrow shown in the figure below).



See "RP-D10 SERIES THERMAL PRINTER TECHNICAL REFERENCE" to set the MS4-4 (Paper Width Selection) to 58mm.

NOTE

- ◆ Set the paper width before using the printer for the first time. Do not change the paper width after starting to use the printer. Doing so may damage the printer.
- ◆ Do not push or pull the tension roller strongly.
- ◆ When the 58mm width thermal paper is used, rubber crumbs of the platen may be generated because the platen contacts with the thermal head. Remove rubber crumbs regularly to maintain printing quality.

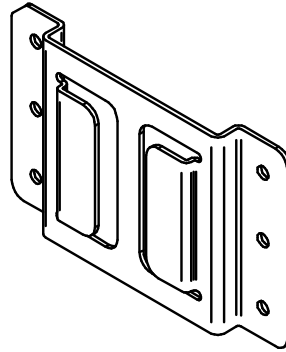
14. WALL MOUNTING KIT (WLK-B01-1)

(1) Preparation

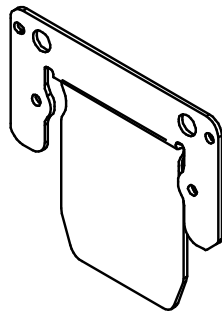
Make sure that the product and its accessories are contained.



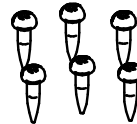
Printer attachment screw
(four pieces)
(Tapping screw 3x6)



Wall hanging bracket



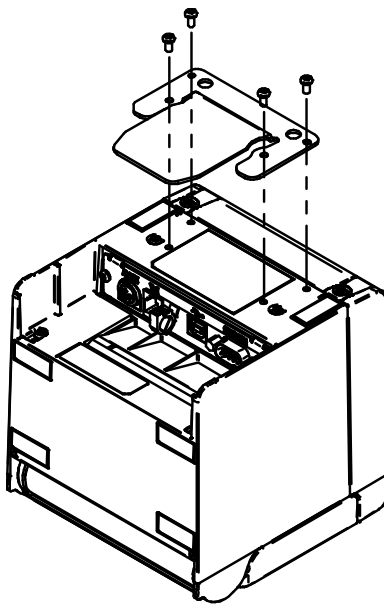
Printer bracket



Wall hanging bracket
attachment screw
(six pieces)
(Wood screw 3.8x18)

(2) Installation of Printer Bracket

Firmly attach printer bracket with four printer attachment screws as shown in the figure below. The tightening torque should be 39.2cN•m (4kgf•cm).



NOTE

- ◆ Turn the power off before the operation. Remove the AC cable of the AC adapter and the interface cable.

(3) Installation of Wall Hanging Bracket

Fix the wall hanging bracket to the mounting surface, and then fix it firmly with six wall hanging bracket attachment screws. WLK-B01-1 is designed to be installed on a wall.

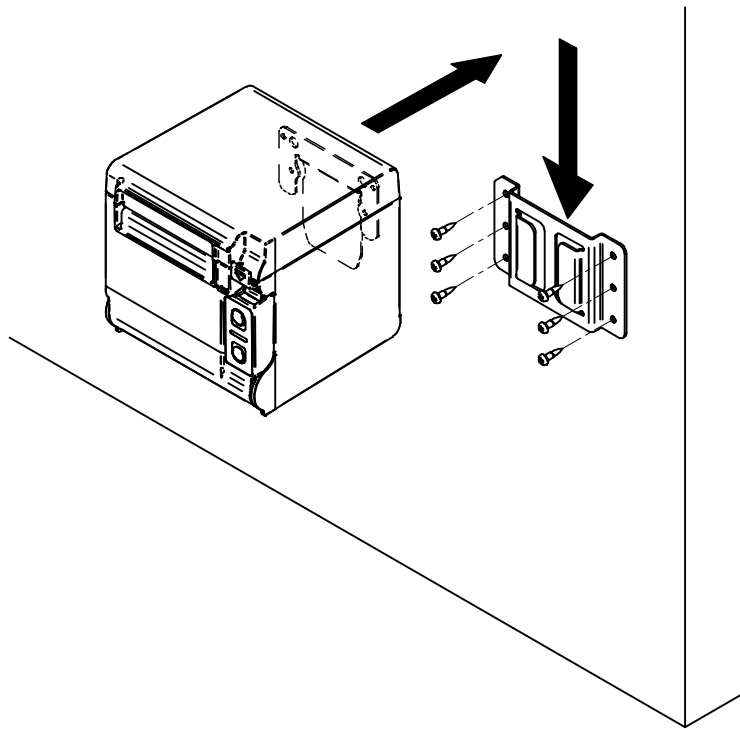
After installation, make sure that the wall hanging bracket is fixed on the wall securely without rattle.

NOTE

- ◆ The accompanying wall hanging bracket attachment screws are for installing to wood materials. Do not use them for other materials.

(4) Installation of the Printer

Slide the printer into the wall hanging bracket from the top to the bottom to insert the printer bracket into the wall hanging bracket, as shown in the figure.



NOTE

- ◆ Check the place and the material/structure of the wall, and then install the printer securely. Injury or destruction of property might occur by dropping off.

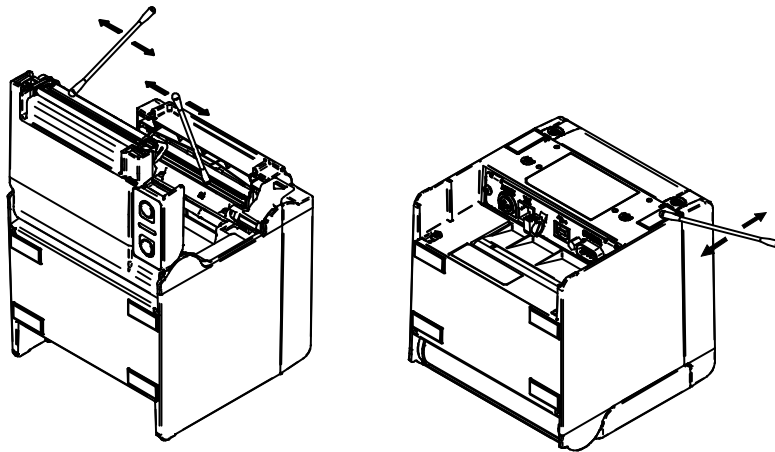
15. PRINTER MAINTENANCE

The thermal head of the printer does not require user maintenance.

When paper powder accumulates, clean the thermal head to maintain maximum print quality for an extended period of time.

■ Cleaning Thermal Head/Platen/Rubber Feet

- (1) Turn the power off.
- (2) Unplug the AC plug of the AC adapter from an outlet.
- (3) Open the paper cover.
- (4) Clean the thermal head, the platen, or the rubber feet with a cotton swab moistened with a small amount of ethyl alcohol.
- (5) Wait until any ethyl alcohol remaining on the thermal head and the platen evaporates completely, then close the paper cover.



NOTE

- ◆ Clean the thermal head after it cools down.
- ◆ Wipe the thermal head with a cotton swab or other soft material.
- ◆ DO NOT touch the gear of the platen. Doing so may cause loss of printing quality or a damage.
- ◆ The rubber feet have the special adsorption structure. They lose adsorption force as dust or dirt adheres. However, it can be recovered by cleaning.

16. TROUBLESHOOTING

Check the following points before requesting for repair:

■ The power does not turn on

- Is specified AC adapter being used?
- Are the AC cable and AC adapter connected correctly?
- Is the AC adapter connected to the printer correctly?

■ The printer does not print

- Is the interface cable connected correctly?
- Is the specifications of interface cable conformed to its specifications of this manual being used?
- Is the communication condition between the printer and the host device correct?
- Is specified thermal paper being used? Is the paper orientation (surface/back) correct?

■ An error is displayed

- See "LED Display" on page 12.
- Is the Function Setting of the printer correct?

17. SPECIFICATION

■ Printer Specifications

| Item | Specification |
|---|--|
| Model | RP-D10 |
| Printing method | Thermal printing |
| Number of characters per line ^{*1} | Paper width 80 mm: 24 dots × 12 dots 48 digits (42 digits ^{*2}) 16 dots × 8 dots 72 digits (64 digits ^{*2}) Paper width 58 mm: 24 dots × 12 dots 36 digits (30 digits ^{*2}) 16 dots × 8 dots 54 digits (45 digits ^{*2}) |
| Character size (H × W) | 1-byte: H 24 dots × W 12 dots, H 16 dots × W 8 dots 2-byte: H 24 dots × W 24 dots, H 16 dots × W 16 dots |
| Number of effective dots | Paper width 80 mm: 576 dots (512 dots ^{*2}) Paper width 58 mm: 432 dots (360 dots ^{*2}) |
| Dot density | 8 dots/mm |
| Paper width/Printing width | 80 mm/72 mm (80 mm/64 mm ^{*2}) 58 mm/54 mm (58 mm/45 mm ^{*2}) |
| Printing speed | 200 mm/sec max. |
| Paper cutting method | Slide cutting method |
| Paper cutting type | Full cut, Partial cut (left at the center) |
| Operating temperature | 5°C to 45 °C |
| Relative humidity ^{*3} | 10%RH to 90%RH |
| Dimensions (W × D × H) | 129 × 129 × 129 mm ^{*4} |
| Mass | Approx. 850 g (excluding the thermal paper) |
| Input voltage | DC24.0 V ±5% |

*1: 1-byte character, character spacing is 0 dots.

*2: When selecting 512/360 dots by MS4-5 (Number of Effective Dots Selection).

*3: Refer to the technical reference for the allowable humidity range at each temperature.

*4: Excluding projections.

■ Specified AC Adapter Specifications

(Accessories)

| Item | Specification |
|------------------------|--------------------------------|
| Model | PW-E2427-W1 |
| Input voltage | AC100 V to 240 V, 50/60 Hz |
| Rated output | DC24.0 V, 2.71 A |
| Dimensions (W × D × H) | 53 × 115 × 38 mm ^{*1} |
| Mass | Approx. 310 g |

*1: Excluding cable.

■ Interface Specifications

Serial interface specifications

| Item | Specification |
|------------------------|--------------------------------|
| Synchronization method | Asynchronous |
| Baud rate | 9600, 19200, 38400, 115200 bps |
| Data length | 7 or 8 bits |
| Parity | None, Even, or Odd |
| Flow control | Hardware control, Xon/Xoff |

USB interface specifications

| Item | Specification |
|--------------------------------|-------------------------|
| Version | Ver 2.0 conformity |
| Printer data transmission mode | Bulk transfer (12 Mbps) |

Ethernet interface specifications

| Item | Specification |
|------------------------|---------------------|
| Communication standard | 10Base-T/100Base-TX |

■ Regulatory Compliance Table

The printer and its accessories comply with regulations in the countries listed below.

See the list below to use the printer and its accessories only in the countries which comply with regulations.

✓: Compliant

| Countries ^{*1} | RP-D10 | PW-E2427-W1 ^{*2} (Specified AC adapter) |
|-------------------------|--------|---|
| Japan | ✓ | ✓ |
| USA | ✓ | ✓ |
| Canada | ✓ | ✓ |
| Mexico | ✓ | ✓ |
| EU, EFTA | ✓ | ✓ |
| Russia | ✓ | ✓ |

*1: Ask your SII sales representative when you want to operate the products in other countries than listed above.

*2: The compliant AC cable differs from country to country. See the Specified AC Cable Table below.

■ Specified AC Cable Table

For Specified AC Adapter (PW-E2427-W1)

| Countries | Model ^{*1} | Manufacturer |
|---|---------------------|--------------|
| Japan | CB-JP03-20A | SII |
| USA, Canada, Mexico | CB-US03-20A | SII |
| EU (except United Kingdom), EFTA, Russia | CB-CE03-20A | SII |
| United Kingdom | CB-UK02-20A | SII |

*1: It is impossible to use each model in other countries than listed.

18. ACCESSORIES AND CONSUMABLE PARTS

■ Accessories

| Name | Model |
|---|-------------|
| Specified AC adapter | PW-E2427-W1 |
| Specified AC cable ^{*1} | |
| For Japan | CB-JP03-20A |
| For USA, Canada, Mexico | CB-US03-20A |
| For EU (except United Kingdom), EFTA, Russia | CB-CE03-20A |
| For United Kingdom | CB-UK02-20A |
| Wall mounting kit | WLK-B01-1 |
| Specified USB cable | IFC-U02-1 |
| Specified Serial cable | IFC-S02-1 |
| Specified Powered USB cable | IFC-V01-1 |

*1: The shape of an outlet differs in countries. Confirm it before using.

■ Specified Thermal Paper^{*1}

| Model | Manufacturer |
|--------------|--------------------------------|
| PD160R | Oji Paper Co., Ltd. |
| F220VP | Mitsubishi Paper Mills., Ltd. |
| P220VBB-1 | Mitsubishi Paper Mills., Ltd. |
| F5041 | Mitsubishi Hi-Tech Paper |
| KT48FA | Papierfabrik August Koehler AG |
| Alpha400-2.1 | Appleton |
| P300 | Kanzaki Specialty Papers Inc. |

*1: We do not offer thermal paper.

When the thermal paper that is not specified is used, printing quality or specified life span of the thermal head may not be guaranteed.



Seiko Instruments Inc.
1-8, Nakase, Mihama-ku, Chiba-shi,
Chiba 261-8507, Japan
Print System Division
Telephone:+81-43-211-1106
Facsimile:+81-43-211-8037

Seiko Instruments USA Inc.
Thermal Printer Div.
21221 S. Western Avenue, Suite 250, Torrance, CA 90501, USA
Telephone:+1-310-517-7778 Facsimile:+1-310-517-7779

Seiko Instruments GmbH
Siemensstrasse 9, D-63263 Neu-Isenburg, Germany
Telephone:+49-6102-297-0 Facsimile:+49-6102-297-222

Seiko Instruments (H.K.) Ltd.
4-5/F, Wyler Center 2,200 Tai Lin Pai Road, Kwai Chung, N.T., Kowloon, Hong Kong
Telephone:+852-2494-5160 Facsimile:+852-2424-0901

(Specifications are subject to change without notice.)