



# **Plasmid DNA purification**

## **User manual**

NucleoSpin® 8 Plasmid

NucleoSpin® 8 Plasmid Core Kit

February 2012/Rev.02

## Table of contents

1	Components	4
1.1	Kit contents	4
1.2	Reagents to be supplied by user	5
2	Product description	6
2.1	The basic principle	6
2.2	Kit specifications	6
2.3	Required hardware	8
2.4	Recommended accessories for use of the NucleoSpin® 8 Plasmid Core Kit	9
2.5	Automated processing on robotic platforms	10
2.6	Growth of bacterial cultures	11
2.7	Elution procedures	12
3	Storage conditions and preparation of working solutions	13
4	Safety instructions – risk and safety phrases	14
4.1	Risk and safety phrases	14
4.2	GHS classification	15
5	Protocols	17
5.1	NucleoSpin® 8 Plasmid – manual vacuum processing	17
5.2	NucleoSpin® 8 Plasmid – elution of DNA using a centrifuge	26
6	Appendix	27
6.1	Troubleshooting	27
6.2	Ordering information	30
6.4	Product use restriction/warranty	31

# 1 Components

## 1.1 Kit contents

REF	NucleoSpin® 8 Plasmid	
	12 x 8 preps 740621	60 x 8 preps 740621.5
Resuspension Buffer A1	50 mL	250 mL
Lysis Buffer A2	50 mL	250 mL
Neutralization Buffer A3	50 mL	250 mL
Wash Buffer AW	100 mL	500 mL
Wash Buffer A4 (Concentrate) <sup>1</sup>	80 mL	2 x 200 mL
Elution Buffer AE <sup>2</sup>	25 mL	125 mL
RNase A (lyophilized) <sup>1</sup>	20 mg	100 mg
NucleoSpin® Plasmid Binding Strips (transparent rings)	12	60
NucleoSpin® Plasmid Filter Strips (purple rings)	12	60
Culture Plate (including Gas- permeable Foil)	1	5
Rack of Tube Strips <sup>3</sup>	1	5
MN Wash Plate	1	5
User manual	1	1

<sup>1</sup> For preparation of working solutions and storage conditions see section 3.

<sup>2</sup> Composition of Elution Buffer AE: 5 mM Tris/HCl, pH 8.5

<sup>3</sup> 1 rack = 12 strips with 8 tubes each, Cap Strips included

<b>NucleoSpin® 8 Plasmid Core Kit</b>	
<b>REF</b>	<b>48 x 8 preps 740461.4</b>
Resuspension Buffer A1	200 mL
Lysis Buffer A2	200 mL
Neutralization Buffer A3	200 mL
Wash Buffer A4 Concentrate) <sup>1</sup>	2 x 100 mL
Elution Buffer AE <sup>2</sup>	2 x 50 mL
RNase A (lyophilized) <sup>1</sup>	80 mg
NucleoSpin® Plasmid Binding Strips (transparent rings)	48
NucleoSpin® Plasmid Filter Strips (purple rings)	48
User manual	1

## 1.2 Reagents to be supplied by user

- 96–100 % ethanol

<sup>1</sup> For preparation of working solutions and storage conditions see section 3.

<sup>2</sup> Composition of Elution Buffer AE: 5 mM Tris/HCl, pH 8.5

## 2 Product description

### 2.1 The basic principle

The **NucleoSpin® 8 Plasmid** procedure is a modified version of the Birnboim and Doly<sup>1</sup> alkaline lysis plasmid Mini prep protocol. Bacterial cultures are harvested by an initial centrifugation step. After resuspension of the pelleted bacteria (Buffer A1) and alkaline cell lysis (Buffer A2), a neutralization and binding buffer (Buffer A3) containing chaotropic salts is added. Resulting bacterial crude lysates are cleared by vacuum filtration with the NucleoSpin® Plasmid Filter Strips. The cleared lysates containing the plasmid DNA are collected into the NucleoSpin® Plasmid Binding Strips. The chaotropic salt leads to a reversible adsorption of the plasmid DNA to the NucleoSpin® silica membrane during the second vacuum-filtration step. High purity of the final plasmid DNA preparation is achieved by complete removal of cellular contaminants, salts, detergents, and other compounds by subsequent washing steps. Highly pure plasmid DNA is finally eluted with Elution Buffer AE (5 mM Tris/HCl, pH 8.5) or water (pH 8.0–8.5) and can directly be used for downstream applications.

### 2.2 Kit specifications

- **NucleoSpin® 8 Plasmid** is designed for the manual or automated small-scale purification of high-copy plasmid DNA from *E. coli* in the flexible 8-well strip format.
- **NucleoSpin® 8 Plasmid** kits (REF 740621 /.5) are supplied with all accessory plates for highest convenience.
- The **NucleoSpin® 8 Plasmid Core Kit** (REF 740461.4) provides the buffers, RNase A, NucleoSpin® Plasmid Filter Strips, and NucleoSpin® Plasmid Binding Strips. Accessory components (e.g., culture plates, elution plates, MN Wash Plate, and Wash Buffer AW) are not provided with the core kit but can be individually selected from a variety of suitable accessories (see section 2.4 for further information). This allows highest flexibility for the user.  
Please note: All given specifications or information in this manual refer equally to the **NucleoSpin® 8 Plasmid** kit (REF 740621 /.5) as well as to the **NucleoSpin® 8 Plasmid Core Kit** (REF 740461.4).
- The kits allow for easy automation on common liquid handling instruments. For more information about the automation process and the availability of ready-to-run scripts for certain platforms, please refer to section 2.5 and /or contact your local distributor or MN directly.
- Using the **NucleoSpin® 8 Plasmid** kits allows simultaneous manual processing of up to 48 samples typically within less than 45 minutes. Actual processing time depends on the configuration of the liquid handling system used.

---

<sup>1</sup> Birnboim, H.C. & Doly, J. (1979) *Nucleic Acids Res.* 7, 1513-1523.

- Typically yields of 5–15 µg plasmid DNA can be purified from 1.5 mL overnight cultures.
- Yield depends on copy number and plasmid size, selected culture medium, and bacterial host strain.
- The DNA binding capacity is about 20 µg. The final concentration of the eluted DNA is 50–200 ng/µL (depending on the elution buffer volume and the bacterial culture).
- Typically, the  $A_{260}/A_{280}$  ratio is > 1.8. Eluted DNA is ready-to-use for many downstream applications.

<b>Kit specifications at a glance</b>	
<b>Parameter</b>	<b>NucleoSpin® 8 Plasmid</b>
Format	8-well strips
Processing	Manual or automated, vacuum
Lysate clarification	8-well filter strips
Sample material	1–5 mL <i>E. coli</i> culture
Vector size	<15 kbp
Typical yield	4–6 µg/mL <i>E. coli</i> culture
Elution volume	75–150 µL
Preparation time	45 min/6 strips
Binding capacity	20 µg

## 2.3 Required hardware

This kit is intended for use under vacuum. A support protocol for elution under centrifugation is included (see section 5.2).

A support protocol for complete processing under centrifugation is available from our technical service (tech-bio@mn-net.com).

### Vacuum processing

The **NucleoSpin® 8 Plasmid** kits can be used **manually** with the NucleoVac 96 Vacuum Manifold (see ordering information). Additionally, a suitable centrifuge for harvesting the bacteria (either plate or tube centrifuge) and for the optional elution step under centrifugation is required.

For processing the 8-well strips under vacuum, the **Starter Set A** (see ordering information) containing Column Holders A and NucleoSpin® Dummy Strips is required.

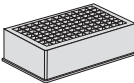
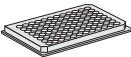
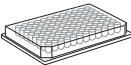
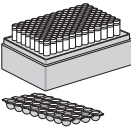
For **automation** on laboratory platforms with standard 96-well plate manifolds, Starter Set A is also required

## 2.4 Recommended accessories for use of the NucleoSpin® 8 Plasmid Core Kit

The **NucleoSpin® 8 Plasmid Core Kit** provides all buffers (except optional Wash Buffer AW), RNase A, and NucleoSpin® Filter/Binding Strips. Accessory plates (e.g., culture blocks, elution plates) are not provided with the core kit. The condensed kit composition, along with a large variety of separately available accessories, allows for an optimal adjustment of the kit to individual user needs. The user can select additional consumables according to his / her requirements for highest flexibility.

For use of **NucleoSpin® 8 Plasmid Core Kit**, follow the standard protocols (see section 5.1 or 5.2, respectively).

Recommended accessories for use of the **NucleoSpin® 8 Plasmid Core Kit** are available from MACHEREY-NAGEL. For ordering information, please refer to section 6.2.

Protocol step	Suitable consumables, not supplied with the core kits	Remarks
Cultivation of bacteria	Culture Plates 	Square-well Blocks with Gas-permeable Foil
Wash step	MN Wash Plates   Buffer AW	MN Wash Plate minimizes the risk of cross contamination (vacuum processing only)  Recommended additional wash buffer for bacterial host strain with high endogenous nuclease activity (e.g., <i>E. coli</i> HB 101, BMH 71-18 mutS, JM, or any wildtype strains) or for improvement of sequencing results
Elution	Elution Plate U-bottom  or Rack of Tube Strips (including Cap Strips) 	Not suitable for elution by centrifugation

## 2.5 Automated processing on robotic platforms

**NucleoSpin® 8 Plasmid** can be used fully automated on many common laboratory workstations. For the availability of scripts and general considerations about adapting **NucleoSpin® 8 Plasmid** on a certain workstation, please contact MN. Full processing under vacuum enables complete automation without the need of centrifugation steps, regarding the drying of the binding membrane and elution step.

The risk of cross-contamination is reduced by optimized vacuum settings during the elution step and by the improved shape of the outlets of the NucleoSpin® Plasmid Binding Strips.

Drying of the NucleoSpin® Plasmid Binding Strips under vacuum is sufficient because the bottom of the strip is protected from buffer residues during the washing steps by the MN Wash Plate. As a result, we recommend trying to integrate the MN Wash Plate into the automated procedure. The MN Frame (see ordering information) can be used to position the disposable MN Wash Plate inside the vacuum chamber. This also reduces the risk of cross-contamination, as common metal adaptors tend to get contaminated by gDNA. Thorough cleaning of the vacuum chamber is recommended after each run to prevent gDNA-containing aerosols from forming.

Visit MN online at [www.mn-net.com](http://www.mn-net.com) or contact your local MACHEREY-NAGEL distributor for technical support regarding hardware, software, setup instructions, and selection of the protocol. Several application notes of the **NucleoSpin® 8 Plasmid** kit on various liquid handling instruments can also be found at [www.mn-net.com](http://www.mn-net.com) under Bioanalysis/Literature.

## 2.6 Growth of bacterial cultures

### 2.6.1 Selection of culture media

The cultivation of cells is recommended at 37 °C in LB (Luria-Bertani) medium at constant shaking (200–250 rpm). Alternatively, rich media like 2x YT or TB (Terrific Broth) can be used. By using 2x YT or TB, bacteria grow faster and reach the stationary phase much earlier than in LB medium ( $\leq 12$  h) in culture tubes or flasks. This may lead to a higher percentage of dead or starving cells when starting the preparation. The resulting plasmid DNA from overgrown cultures may be partially degraded or contaminated with chromosomal DNA.

### 2.6.2 Cultivation of bacteria in a Square-well Block

Use the 96-well Square-well Block (Culture Plate; not included in the core kits) for growing bacteria. Add 1.2–1.5 mL of selected medium (with appropriate antibiotic, e.g., 100 µg/mL ampicillin) to each well of the Square-well Block. To avoid cross-contamination due to spillage during incubation, do not exceed a total culture volume of 1.5 mL. Inoculate each well with a single bacterial colony. Cover the Square-well Block with the Gas-permeable Foil. Grow the culture in a suitable incubator at 37 °C for 16–24 h with vigorous shaking (200–400 rpm). The Square-well Block may be fixed to the shaker with large-size flask clamps (for 2-L flasks) or tape.

**Note:** *The yield of plasmid DNA depends on growth conditions, bacterial strain, and cell density of the culture as well as on the size and copy number of the vector. Use of high-copy number plasmids such as pUC, pBluescript, or pGEM and E. coli strains like DH5a or XL1 Blue are recommended. Growth times of 16–24 h are usually sufficient. However, for poorly growing bacteria, prolonged incubation times of up to 30 h may be required.*

### 2.6.3 Cultivation of bacteria in tubes

Use 1–5 mL of appropriate culture medium. Depending on the bacterial strain and copy number of the plasmid, up to 5 mL LB medium or 2.5 mL 2x YT or 2.5 mL TB medium can be used. Grow bacteria with vigorous shaking (200–250 rpm) for 10–14 h.

**Optional:** *If the liquid handling instrument does not allow the use of selected culture tubes, transfer the bacterial culture from the tubes into a suitable Square-well Block. For this, transfer 1.5 mL of the culture to each well of the Square-well Block. Harvest the cultures by centrifugation. Discard supernatant. Usually 1.5 mL of culture are sufficient for DNA preparation. However, if necessary, add additional 1.0–1.5 mL bacterial culture to each well of the Square-well Block, centrifuge again, and discard the supernatant.*

Do not use more than 5 mL LB culture or 2.5 mL rapid growing bacterial strain (using 2x YT or TB medium) because lysis efficiency might be lower when using cell pellets which are too large.

## 2.7 Elution procedures

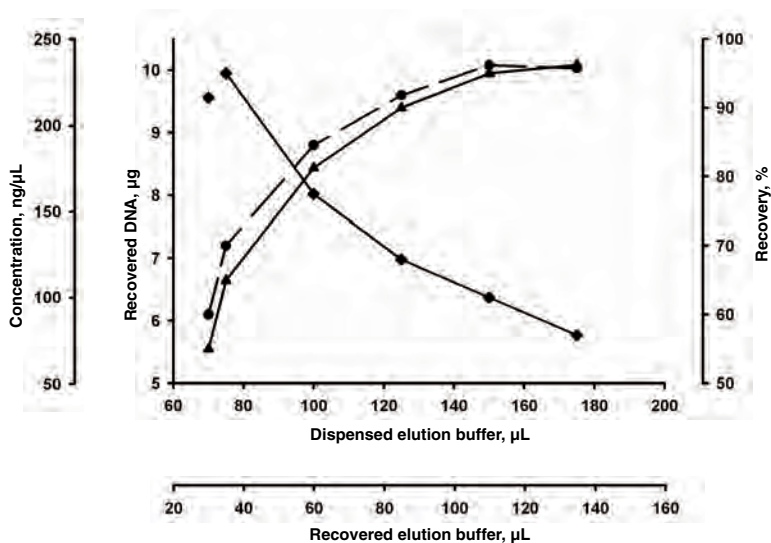
See the following table for correlation between the dispensed elution buffer volume and typical recoveries following the standard protocol under vacuum.

The recommended dispense volume of elution buffer is 125  $\mu\text{L}$ .

### Correlation between dispensed elution buffer volume and typical recovery

Dispensed elution buffer	75 $\mu\text{L}$	100 $\mu\text{L}$	125 $\mu\text{L}$	150 $\mu\text{L}$	175 $\mu\text{L}$
Recovered elution buffer containing PCR-products	30 $\pm$ 5 $\mu\text{L}$	55 $\pm$ 5 $\mu\text{L}$	80 $\pm$ 5 $\mu\text{L}$	105 $\pm$ 5 $\mu\text{L}$	130 $\pm$ 5 $\mu\text{L}$

- Recovered DNA,  $\mu\text{g}$
- ◆ Concentration,  $\text{ng}/\mu\text{L}$
- ▲ Recovery, %



**Figure 1: Recovery rate and concentration depend on elution volume.**

10  $\mu\text{g}$  of pBluescript plasmid were purified with NucleoSpin<sup>®</sup> 8 Plasmid and eluted with the indicated elution buffer volumes.

### 3 Storage conditions and preparation of working solutions

**Attention:** Buffers A3 and AW contain chaotropic salts which are irritant. Buffer A2 contains SDS and sodium hydroxide which are irritant and hazardous. Wear gloves and goggles!

**CAUTION:** Buffers A3 and AW contain guanidine hydrochloride which can form highly reactive compounds when combined with bleach (sodium hypochlorite). DO NOT add bleach or acidic solutions directly to the sample-preparation waste.

Storage conditions:

- All kit components can be stored at room temperature (18–25 °C) and are stable up to one year. Always keep buffer bottles tightly closed, especially if buffers are preheated during the preparation.
- Sodium dodecyl sulfate (SDS) in Buffer A2 may precipitate if stored at temperatures below 20 °C. If a precipitate is observed in Buffer A2, incubate the bottle at 30–40 °C for several minutes and mix well.

Before starting any **NucleoSpin® 8 Plasmid** protocol, prepare the following:

- Before the first use of the kit, add 1 mL of **Buffer A1** to the **RNase A** vial and vortex. Transfer all of the resulting solution into the Buffer A1 bottle and mix thoroughly. Indicate date of RNase A addition. Store Buffer A1 containing RNase A at 4 °C. The solution will be stable at this temperature for at least six months.
- Wash Buffer A4:** Add the indicated volume of ethanol (96–100 %) to Buffer A4 Concentrate before use. Mark the label of the bottle to indicate that ethanol was added.

NucleoSpin® 8 Plasmid		
REF	12 x 8 preps 740621	60 x 8 preps 740621.5
Wash Buffer A4 (Concentrate)	80 mL Add 320 mL ethanol	2 x 200 mL Add 800 mL ethanol to each bottle

NucleoSpin® 8 Plasmid Core Kit	
REF	48 x 8 preps 740461.4
Wash Buffer A4 (Concentrate)	2 x 100 mL Add 400 mL ethanol to each bottle

## 4 Safety instructions – risk and safety phrases

### 4.1 Risk and safety phrases

The following components of the **NucleoSpin® 8 Plasmid** and the **NucleoSpin® 8 Plasmid Core Kits** contain hazardous contents. *Wear gloves and goggles and follow the safety instructions given in this section.*

Component	Hazard contents	Hazard symbol	Risk phrases	Safety phrases
<i>Inhalt</i>	<i>Gefahrstoff</i>	<i>Gefahrstoff-symbol</i>	<i>R-Sätze</i>	<i>S-Sätze</i>
A2	Sodium hydroxide 0.5–2.0 % <i>Natriumhydroxid-Lösung 0.5–2.0 %</i>	✘ Xi*	R 36/38	S 26-37/39-45
A3	Guanidine hydrochloride 36–50 % <i>Guanidinhydrochlorid 36–50 %</i>	✘ Xn**	R 22-36	S 26-39
AW	Guanidine hydrochloride 36–50 % + isopropanol 20–50 % <i>Guanidinhydrochlorid 36–50 % + Isopropanol 20–50 %</i>	✘ X**	R 10-22-36	S 16-26-39
RNase A	RNase A, lyophilized <i>RNase A, lyophilisiert</i>	✘ Xn	R 42/43	S 22-24

#### Risk phrases

- R 10 Flammable.  
*Entzündlich.*
- R 22 Harmful if swallowed.  
*Gesundheitsschädlich beim Verschlucken.*
- R 36 Irritating to eyes.  
*Reizt die Augen.*
- R 36/38 Irritating to eyes and skin  
*Reizt die Augen und die Haut.*
- R 42/43 May cause sensitization by inhalation and skin contact  
*Sensibilisierung durch Einatmen und Hautkontakt möglich.*

#### Safety phrases

- S 16 Keep away from sources of ignition – No smoking.  
*Von Zündquellen fernhalten.*
- S 22 Do not breathe dust.  
*Staub nicht einatmen.*
- S 24 Avoid contact with the skin.  
*Berührung mit der Haut vermeiden.*

\* Hazard labeling not necessary if quantity per bottle below 25 g or mL (certificate of exemption according to 67/548/EEC Art. 25, 1999/45/EC Art. 12 and German GefStoffV § 20 (3) and TRGS 200 7.1). For further information see Material Safety Data Sheet.

\*\* Hazard labeling not necessary if quantity per bottle below 125 g or mL (certificate of exemption according to 67/548/EEC Art. 25, 1999/45/EC Art. 12 and German GefStoffV § 20 (3) and TRGS 200 7.1). For further information see Material Safety Data Sheet.





### Safety phrases

- S 26 In case of contact with eyes, rinse immediately with plenty of water and seek medical advice.  
*Bei Berührung mit den Augen gründlich mit Wasser abspülen und Arzt konsultieren.*
- S 37/39 Wear suitable gloves and eye / face protection.  
*Bei der Arbeit geeignete Schutzhandschuhe und Schutzbrille / Gesichtsschutz tragen.*
- S 39 Wear eye / face protection.  
*Schutzbrille / Gesichtsschutz tragen.*
- S 45 In case of accident or if you feel unwell seek medical advice immediately (show the label where possible).  
*Bei Unfall oder Unwohlsein sofort Arzt zuziehen (wenn möglich dieses Etikett vorzeigen).*

## 4.2 GHS classification

Only harmful features do not need to be labeled with H and P phrases until 125 mL or 125 g.

*Mindergefährliche Eigenschaften müssen bis 125 mL oder 125 g nicht mit H- und P-Sätzen gekennzeichnet werden.*

Component	Hazard contents	GHS symbol	Hazard phrases	Precaution phrases
Inhalt	Gefahrstoff	GHS Symbol	H-Sätze	P-Sätze
A2	Sodium hydroxide 0.5–2.0 % <i>Natriumhydroxid-Lösung 0.5–2.0 %</i>	 Warning <i>Achtung</i>	315, 319	280, 302+352, 305+351+338, 332+313, 337+313
A3	Guanidine hydrochloride 36–50 % <i>Guanidinhydrochlorid 36–50 %</i>	 Warning <i>Achtung</i>	302, 319	280, 301+312, 305+351+338, 330, 337+313
AW	Guanidine hydrochloride 36–50 % + isopropanol 20–50 % <i>Guanidinhydrochlorid 36–50 % + Isopropanol 20–50 %</i>	 Warning <i>Achtung</i>	226, 302, 319	210, 233, 280, 301+312, 305+351+338, 330, 337+313, 403+235
RNase A	RNase A, lyophilized <i>RNase A, lyophilisiert</i>	 Danger <i>Gefahr</i>	317, 334	261, 280, 302+352, 304+341, 333+313, 342+311, 363

### Hazard phrases

- H 226 Flammable liquid and vapour.  
*Flüssigkeit und Dampf entzündbar.*
- H 302 Harmful if swallowed.  
*Gesundheitsschädlich bei Verschlucken.*
- H 315 Causes skin irritation.  
*Verursacht Hautreizungen.*

### Hazard phrases

- H 317 May cause an allergic skin reaction.  
*Kann allergische Hautreaktionen verursachen.*
- H 319 Causes serious eye irritation.  
*Verursacht schwere Augenreizung.*
- H 334 May cause allergy or asthma symptoms or breathing difficulties if inhaled.  
*Kann bei Einatmen Allergie, asthmaartige Symptome oder Atembeschwerden verursachen.*

### Precaution phrases

- P 210 Keep away from heat/sparks/open flames/hot surfaces – No smoking.  
*Von Hitze/Funken/offener Flamme/heißen Oberflächen fernhalten. Nicht rauchen.*
- P 233 Keep container tightly closed.  
*Behälter dicht verschlossen halten.*
- P 261 Avoid breathing dust.  
*Einatmen von Staub vermeiden.*
- P 280 Wear protective gloves / eye protection.  
*Schutzhandschuhe / Augenschutz tragen.*
- P 301+312 IF SWALLOWED: Call a POISON CENTER or doctor /physician if you feel unwell.  
*BEI VERSCHLUCKEN: Bei Unwohlsein GIFTINFORMATIONSZENTRUM oder Arzt anrufen.*
- P 302+352 IF ON SKIN: Wash with plenty of soap and water.  
*BEI KONTAKT MIT DER HAUT: Mit viel Wasser und Seife waschen.*
- P 304+341 IF INHALED: If breathing is difficult, remove to fresh air and keep at rest in a position comfortable for breathing.  
*Bei Einatmen: Bei Atembeschwerden an die frische Luft bringen und in einer Position ruhigstellen, die das Atmen erleichtert.*
- P 305+351+338 IF IN EYES: Rinse continuously with water for several minutes. Remove contact lenses if present and easy to do – continue rinsing.  
*BEI KONTAKT MIT DEN AUGEN: Einige Minuten lang behutsam mit Wasser spülen. Vorhandene Kontaktlinsen nach Möglichkeit entfernen. Weiter spülen.*
- P 330 Rinse mouth.  
*Mund ausspülen.*
- P 332+313 If skin irritation occurs: Get medical advice / attention.  
*Bei Hautreizung: Ärztlichen Rat einholen / ärztliche Hilfe hinzuziehen.*
- P 333+313 If skin irritation occurs: Get medical advice / attention.  
*Bei Hautreizung- oder -ausschlag: Ärztlichen Rat einholen / ärztliche Hilfe hinzuziehen.*
- P 337+313 Get medical advice / attention.  
*Bei anhaltender Augenreizung: Ärztlichen Rat einholen / ärztliche Hilfe hinzuziehen.*
- P 342+311 If experiencing respiratory symptoms: Call a POISON CENTER or doctor / physician.  
*Bei Symptomen der Atemwege: Giftinformationszentrum oder Arzt anrufen.*
- P 363 Wash contaminated clothing before reuse.  
*Kontaminierte Kleidung vor erneutem Tragen waschen.*
- P 403+235 Store in a well ventilated place. Keep cool.  
*Kühl an einem gut belüfteten Ort aufbewahren.*

For further information please see Material Safety Data Sheets ([www.mn-net.com](http://www.mn-net.com)).  
Weiterführende Informationen finden Sie in den Sicherheitsdatenblättern ([www.mn-net.com](http://www.mn-net.com)).

## 5 Protocols

### 5.1 NucleoSpin® 8 Plasmid – manual vacuum processing

- For hardware requirements, refer to section 2.3.
- For detailed information regarding the vacuum manifold setup, see page 19–20.
- For detailed information on each step, see page 21.
- For use of the NucleoSpin® 8 Plasmid Core Kit (REF 740461.4), refer to section 2.4 regarding recommended accessories.

#### Before starting the preparation:

- Check if Buffer A1 and Buffer A4 were prepared according to section 3.
- Set up the vacuum according to the scheme.

#### Protocol-at-a-glance

<b>1</b>	<b>Cultivate</b> and <b>harvest</b> bacterial cells	1.5 mL–5 mL LB or up to 2.5 mL 2x YT or TB  10 min, 1,000 x g
<b>2</b>	<b>Resuspend</b> bacterial cells	250 µL A1  Mix or shake
<b>3</b>	<b>Lyse</b> bacterial cells	250 µL A2  RT, 2–5 min Shake
<b>4</b>	<b>Neutralize</b>	350 µL A3  Mix or shake
<b>Prepare vacuum manifold for lysate clearing step</b>		
<b>5</b>	<b>Transfer</b> crude lysates to NucleoSpin® Plasmid Filter Strips (purple rings)	

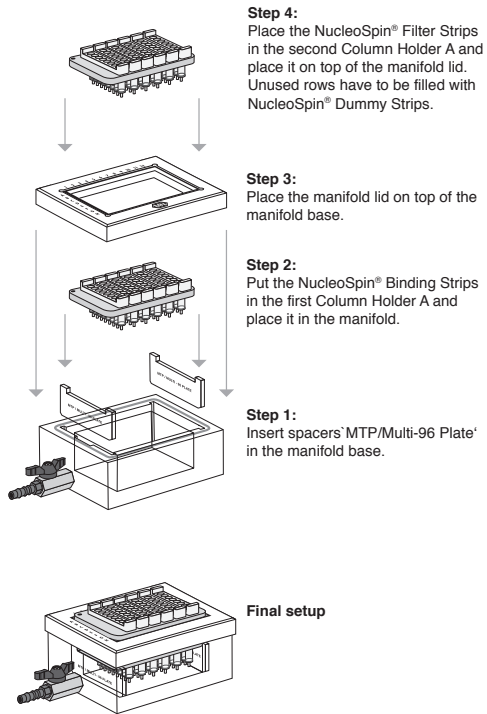
- |           |   |  |
|-----------|---|--|
| <b>6</b>  | <p><b>Clear</b> crude lysates by vacuum filtration directly into the NucleoSpin® Plasmid Binding Strips (transparent rings)</p> <p><i>Optional: Incubate 1–3 min before applying vacuum</i></p>   | <p><b>-0.2 to -0.4 bar*,<br/>1–5 min</b></p>   |
| <hr/>     |   |  |
| <b>7</b>  | <p><b>Reassemble</b> vacuum manifold</p> <p>Discard NucleoSpin® Plasmid Filter Strips</p> <p>Remove NucleoSpin® Plasmid Binding Strips with cleared lysates and insert MN Wash Plate</p> <p>Place NucleoSpin® Plasmid Binding Strips on top of the manifold</p> |  |
| <hr/>     |   |  |
| <b>8</b>  | <p><b>Bind</b> DNA to silica membrane of the NucleoSpin® Plasmid Binding Strips by applying vacuum</p>  | <p><b>-0.2 to -0.4 bar*,<br/>1 min</b></p>   |
| <hr/>     |   |  |
| <b>9</b>  | <p><b>Wash</b> silica membrane</p>  | <p><i>(Optional: 600 µL AW)</i></p> <p><b>900 µL A4</b></p> <p><b>900 µL A4</b></p> <p><b>-0.2 to -0.4 bar*,<br/>1 min each step</b></p> |
| <hr/>     |   |  |
| <b>10</b> | <p><b>Remove</b> MN Wash Plate</p>  |  |
| <hr/>     |   |  |
| <b>11</b> | <p><b>Dry</b> NucleoSpin® Plasmid Binding Strips by applying vacuum</p> <p><i>Optional: Dry the outlets of the NucleoSpin® Plasmid Binding Strip by placing it on a sheet of filter paper before applying vacuum</i></p>  | <p><b>Full vacuum<br/>10–15 min<br/>(run pump continuously)*</b></p>   |
| <hr/>     |   |  |
| <b>12</b> | <p>Insert Rack of Tube Strips</p>   |  |
| <hr/>     |   |  |
| <b>13</b> | <p><b>Elute</b> plasmid DNA</p> <p><i>Optional: Incubate 1–3 min</i></p>  | <p><b>75–150 µL AE</b></p> <p><b>-0.4 to -0.6 bar*,<br/>1 min</b></p>  |

---

\* Reduction of atmospheric pressure

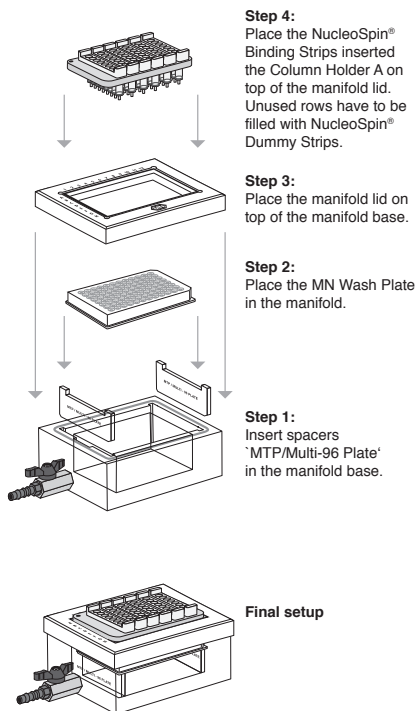
**Setup of vacuum manifold: Lysate clearing**

**Lysate clearing**

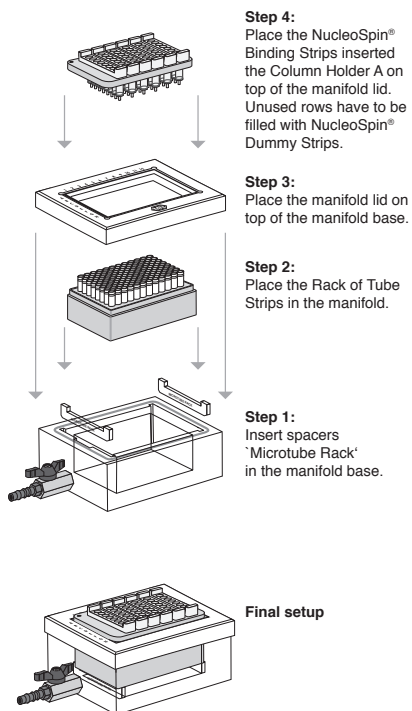


**Setup of vacuum manifold: Binding / Washing / Elution steps**

**Binding / Washing steps**



**Elution step**



## Detailed protocol

For processing of **NucleoSpin® 8 Plasmid** under vacuum the NucleoVac 96 Vacuum Manifold and the Starter Kit A are required (see ordering information). Starter Kit A contains the Column Holders A and the NucleoSpin® Dummy Strips to close unused rows.

### Before starting the preparation:

- Check if Buffer A1 and Buffer A4 were prepared according to section 3.
  - Prepare column holders: Insert NucleoSpin® Plasmid Binding Strips in the first column holder and NucleoSpin® Plasmid Filter Strips into the second column holder. Close unused wells of each column holder with NucleoSpin® Dummy Strips.
- 

### 1 Cultivate and harvest bacterial cells

Centrifuge the bacteria cultures (1.5–5 mL LB or up to 2.5 mL 2 x YT or TB) for **10 min** at **1,000 x g**.

It is highly recommended centrifuging the bacterial cultures under the above mentioned conditions. Centrifugation at higher *g*-forces might produce tight pellets which are more difficult to resuspend.

Discard supernatant. Remove residual medium by tapping tube or plate upside down on a clean paper sheet or soft tissue.

*Optional: Transfer bacteria cultures grown in tubes to a Square-well Block. Alternatively perform the next three steps in the tubes.*

---

### 2 Resuspend bacterial cells

Add **250 µL Buffer A1 with RNase A** to each sample. Resuspend the bacterial pellet by vortexing or mixing by pipetting up and down. Resuspend bacterial cells completely. No clumps should be visible.

---

### 3 Lyse bacterial cells

Add **250 µL Buffer A2** to the suspension. (For lysis in tubes: close the culture tube and mix by inverting several times.)

Incubate at **room temperature (18–25 °C)** for a maximum of **5 min** with moderate shaking (300 rpm).

*Note: Do not vortex; doing so will release contaminating chromosomal DNA from the cellular debris into the suspension. Do not allow the lysis reaction to proceed for more than 5 minutes.*

---

#### 4 Neutralize

Add **350 µL Buffer A3** to the suspension. (For lysis in tubes: close the culture tube and mix by inverting several times. For lysis in plates: either mix by pipetting up and down after addition of Buffer A3 or before loading to the NucleoSpin® Plasmid Filter Strips.)

*Optional: Incubate on ice for 5 min for optimal formation of precipitate.*

---

#### Prepare the NucleoVac 96 Vacuum Manifold

Prepare manifold for filtration of crude lysates (see page 19):

Insert spacers labeled 'MTP/Multi-96 Plate' notched side up into the grooves located on the short sides of the manifold. Insert waste container into the center of the manifold base.

Insert an appropriate number of NucleoSpin® Plasmid Binding Strips (transparent rings) in a Column Holder A. Close any unused openings of the Column Holder A with NucleoSpin® Dummy Strips. Place the column holder with the binding strips into the manifold base.

Close the manifold with the manifold lid.

Insert desired number of NucleoSpin® Plasmid Filter Strips (purple rings) in a second Column Holder A. Use NucleoSpin® Dummy Strips to close unused openings.

Place the column holder with the NucleoSpin® Plasmid Filter Strips on top of the manifold.

---

#### 5 Transfer crude lysates onto the NucleoSpin® Plasmid Filter Strips

Transfer the crude lysates resulting from step 4 carefully and completely into the wells of the NucleoSpin® Plasmid Filter Strips.

*Note: Mix the suspension by pipetting up and down the entire volume once before transfer to the NucleoSpin® Plasmid Filter Strips.*

---

#### 6 Clear crude lysate by vacuum filtration

Apply vacuum of **-0.2 to -0.4 bar\*** (1–5 min). If necessary, press down the Column Holder A with NucleoSpin® Plasmid Filter Strips slightly until flow through starts. Adjust vacuum to establish a flow rate of 1–2 drops per second.

When the crude lysate has passed the NucleoSpin® Plasmid Filter Strips, release the vacuum.

---

\* Reduction of atmospheric pressure

## 7 Reassemble vacuum manifold

Remove and discard the NucleoSpin® Plasmid Filter Strips. Open the manifold lid. Remove the Column Holder A with the NucleoSpin® Plasmid Binding Strips (transparent rings) with cleared lysates.

Insert the MN Wash Plate on the spacers inside the manifold base (see page 20). Close the manifold base with the manifold lid. Place the column holder with the binding strips on top of the manifold.

---

## 8 Bind DNA to silica membrane

Apply vacuum of **-0.2 to -0.4 bar\* (1 min)**. If necessary, press down the Column Holder A with NucleoSpin® Plasmid Binding Strips slightly until flow-through starts. Adjust vacuum to establish a flow rate of 1–2 drops per second.

When the cleared lysate has drained off, release the vacuum.

---

## 9 Wash silica membrane

### **1<sup>st</sup> wash (optional)**

Add **600 µL of Buffer AW** to each well of the NucleoSpin® Plasmid Binding Strips. Apply vacuum of **-0.2 to -0.4 bar\* (1 min)**. If necessary, press down the Column Holder A with NucleoSpin® Plasmid Binding Strips slightly. Allow the buffer to pass the columns.

*Release the vacuum.*

*Note: This additional wash step is recommended if the bacterial host strain has a high endogenous nuclease activity (e.g., E. coli HB 101, BMH 71-18 mutS, JM, or any wild-type strains) or if sequencing results need to be improved.*

### **2<sup>nd</sup> wash**

Add **900 µL Buffer A4** (with ethanol) to each well. Apply vacuum of **-0.2 to -0.4 bar\* (1 min)** and allow the buffer to pass the columns.

Release the vacuum.

### **3<sup>rd</sup> wash**

Repeat the wash step with **900 µL Buffer A4**. Apply vacuum of **-0.2 to -0.4 bar\* (1 min)** and allow the buffer to pass the columns.

---

\* Reduction of atmospheric pressure

## 10 Remove MN Wash Plate

After the final washing step, close the valve, release the vacuum, and remove the Column Holder A with the inserted NucleoSpin® Plasmid Binding Strips. Remove manifold lid, MN Wash Plate, and waste container from the vacuum manifold.

---

## 11 Dry NucleoSpin® Plasmid Binding Strips

Remove any residual wash buffer from the NucleoSpin® Plasmid Binding Strips. If necessary, tap the outlets of the strips onto a clean blotting paper or soft tissue until no further drops come out.

Close the manifold base with the manifold lid. Place the column holder with the binding strips on top of the manifold.

Apply vacuum of **-0.4 to -0.6 bar\*** for **at least 10–15 min** to dry the membrane completely. Run vacuum pump continuously. Typically, the adjusted vacuum is not reached at this step. Achieving and keeping a continuous air-flow in order to evaporate the remaining ethanol from Wash Buffer A4 is of more importance than reaching the precise mentioned atmospheric pressure.

It is more important to have a continuous air-flow to evaporate the ethanol from Wash Buffer A4.

*Note: The ethanol in Buffer A4 inhibits enzymatic reactions and has to be removed completely before eluting DNA.*

Finally, release the vacuum.

---

## 12 Elute into Tube Strips

Remove the manifold lid with the Column Holder A from the vacuum manifold. Insert spacers 'Microtube rack', notched side up, into the grooves located at the short sides of the vacuum manifold.

Insert the Rack of Tube Strips on the spacers inside the manifold base and reinstall the vacuum manifold as described before.

*or*

**Insert Elution Plate U-bottom** (not supplied with the kit, see ordering information)

Remove the manifold lid with the Column Holder A from the vacuum manifold. Insert the Elution Plate on the spacers inside the manifold base. Close the manifold base with the manifold lid. Place the column holder with the Binding Strips (transparent rings) on top of the manifold.

---

\* Reduction of atmospheric pressure

For elution into microtiter plates, the spacers 'MTP/Multi-96 Plate' are required which are already inserted into the manifold base from the previous steps.

---

### 13 Elute plasmid DNA

Elute the DNA by adding **125 µL Buffer AE** (5 mM Tris-HCl, pH 8.5; 125 µL is recommended, a volume range of 75–150 µL is possible, see section 2.7) or sterile distilled water (pH 7.5–8.5) to each well of the NucleoSpin® Plasmid Binding Strips.

The elution buffer should be dispensed carefully onto the center of the silica membrane. Incubate the buffer on the membrane for **1–3 minutes** at **room temperature**. Apply vacuum of **-0.4 to -0.6 bar\* (1 min)**. If necessary, press down the column holder slightly and collect the eluted DNA. After the elution buffer has passed the wells, release vacuum.

Remove the Rack of Tube Strips or Elution Plate U-bottom containing eluted DNA and seal the plate/strips with adhesive cover foil or Cap Strips, respectively, for further storage.

---

---

\* Reduction of atmospheric pressure

## 5.2 NucleoSpin® 8 Plasmid – elution of DNA using a centrifuge

Elution of purified DNA in a centrifuge can be performed when higher concentrations of the final DNA are required for downstream applications. Using a centrifuge allows reduction of the dispensed volume to 50–75 µL.

### Required hardware:

- For centrifugation, a microtiterplate centrifuge that can accommodate the NucleoSpin® Plasmid Binding Strips (inserted into a Column Holder C) stacked on a Rack of Tube Strips is required (bucket height: 85 mm). It is also necessary that the centrifuge reaches accelerations of 5,600–6,000 x g.
- For processing the 8-well strips, the Starter Set C (see ordering information), containing Column Holders C, MN Square-well Blocks, and Rack of Tube Strips is required.

- 
- 1 Stop the method after the final washing step with Buffer A4. Remove Column Holder A with inserted NucleoSpin® Plasmid Binding Strips from the manifold's top and tap on a filter paper sheet to remove residual wash buffer from the outlets.

Insert NucleoSpin® Plasmid Binding Strips into a Column Holder C.

- 
- 2 Place the Column Holder C with the binding strips on top of a MN Square-well Block (not included in the kits, see ordering information) and centrifuge for **10 min** at **maximum speed** (> 4,000 x g, optimal 5,800 x g).

*Note: Do not use a microtiter plate as a support for the NucleoSpin® Plasmid Binding Strips. Microtiter plates may crack under centrifugation at > 1,500 x g.*

- 
- 3 Place the Column Holder C with inserted NucleoSpin® Binding Strips on top of a Rack of Tube Strips. Dispense **Elution Buffer AE** (50–150 µL) directly onto the silica membrane. Incubate for **1–3 min** at **room temperature**.

*Note: Do not use a microtiter plate as elution plate. Microtiter plates may crack under centrifuging at > 1,500 x g. Alternatively, a 96-well PCR plate can be inserted into the Square-well Block for elution.*

- 
- 4 Centrifuge for **2 min** at **maximum speed** (> 4,000 x g, optimal 5,800 x g) to collect the plasmid DNA.

Remove the Rack of Tube Strips containing eluted DNA and close them with Cap Strips for further storage.

## 6 Appendix

### 6.1 Troubleshooting

Problem	Possible cause and suggestions
Incomplete lysis of bacterial cells	<i>Cell pellet not properly resuspended</i> <ul style="list-style-type: none"><li>It is essential that the cell pellet is completely resuspended prior to lysis. No cell clumps should be visible before addition of Lysis Buffer A2. If necessary, increase number of mixing cycles or duration of shaking.</li></ul>
	<i>SDS in Buffer A2 precipitated</i> <ul style="list-style-type: none"><li>SDS in Buffer A2 may precipitate upon storage. If this happens, a white precipitate is visible at the bottom of the bottle. Incubate Buffer A2 at 30–40 °C for 5 min and mix well before use.</li></ul>
	<i>Too many bacterial cells used</i> <ul style="list-style-type: none"><li>Usage of LB as the growth medium is recommended. When using rich media like TB, cultures reach very high cell densities. Reduce culture volume to 1.0–1.5 mL.</li></ul>
Poor plasmid yield	<i>No or not enough antibiotic used during cultivation</i> <ul style="list-style-type: none"><li>Cells harboring the plasmid of interest may become overgrown by non-transformed cells. Add appropriate amounts of freshly prepared stock solutions of antibiotic to all media.</li></ul>
	<i>Overgrown bacterial cultures</i> <ul style="list-style-type: none"><li>See suggestions in section 2.6 ‘Growth of bacterial cultures’.</li></ul>
	<i>High-copy number plasmid was not used</i> <ul style="list-style-type: none"><li>Use high-copy number plasmid.</li></ul>
	<i>Incomplete lysis of bacterial cells</i> <ul style="list-style-type: none"><li>See ‘Possible cause and suggestions’ above.</li></ul>
	<i>No ethanol was added to Buffer A4 Concentrate, ethanol evaporated</i> <ul style="list-style-type: none"><li>Add indicated volume of ethanol to Buffer A4 Concentrate and mix. Keep bottle tightly closed to prevent evaporation of ethanol.</li></ul>

Problem	Possible cause and suggestions
Poor plasmid yield <i>(continued)</i>	<p data-bbox="309 212 647 233"><i>Elution conditions are not optimal</i></p> <ul data-bbox="309 245 981 352" style="list-style-type: none"> <li data-bbox="309 245 981 352">• If possible, use a slightly alkaline elution buffer like Buffer AE (5 mM Tris-HCl, pH 8.5). When using nuclease-free water for elution, make sure the pH value is within the range of pH 8.0–8.5. Elution efficiencies drop drastically at pH &lt; 7.</li> </ul>
Contamination with chromosomal DNA	<p data-bbox="309 389 546 410"><i>Excessive mixing steps</i></p> <ul data-bbox="309 422 981 555" style="list-style-type: none"> <li data-bbox="309 422 981 555">• Reduce number of mixing cycles, reduce shaker action after addition of Lysis Buffer A2 and Neutralization Buffer A3 or before transfer of crude lysate to the NucleoSpin® Plasmid Filter Strips. Mixing will cause shearing of chromosomal DNA, leading to a co-purification during the preparation of plasmid DNA.</li> </ul> <p data-bbox="309 595 598 616"><i>Culture volume was too high</i></p> <ul data-bbox="309 628 981 679" style="list-style-type: none"> <li data-bbox="309 628 981 679">• Reduce culture volume if lysate is too viscous for gentle and complete mixing.</li> </ul> <p data-bbox="309 719 586 740"><i>Bacterial culture overgrown</i></p> <ul data-bbox="309 753 981 831" style="list-style-type: none"> <li data-bbox="309 753 981 831">• Overgrown bacterial cultures contain lysed cells and degraded DNA. See suggestions in section 2.6 'Growth of bacterial cultures'.</li> </ul> <p data-bbox="309 871 497 892"><i>Lysis was too long</i></p> <ul data-bbox="309 904 687 925" style="list-style-type: none"> <li data-bbox="309 904 687 925">• Lysis step must not exceed 5 min.</li> </ul> <p data-bbox="309 965 351 986"><i>Tips</i></p> <ul data-bbox="309 999 981 1086" style="list-style-type: none"> <li data-bbox="309 999 981 1086">• Use wide bore disposable tips for transfer of crude lysate to the NucleoSpin® Plasmid Filter Strips to prevent shearing of chromosomal DNA.</li> </ul>
RNA in the eluate	<p data-bbox="309 1121 659 1142"><i>RNA was not degraded completely</i></p> <ul data-bbox="309 1155 919 1222" style="list-style-type: none"> <li data-bbox="309 1155 919 1176">• Ensure that RNase A was added to Buffer A1 before use.</li> <li data-bbox="309 1198 710 1219">• Reduce culture volume if necessary.</li> </ul>

<b>Problem</b>	<b>Possible cause and suggestions</b>
----------------	---------------------------------------

---

*Carry-over of ethanol, inhibition of downstream analysis, or problems with sample loading onto agarose*

- Be sure to remove all of ethanolic Buffer A4 after the final washing step. Dry the NucleoSpin® Plasmid Binding Strips for at least 10 min with maximum vacuum.

Suboptimal performance of plasmid DNA in sequencing reactions, problems with downstream applications

*Elution of plasmid DNA with TE buffer*

- EDTA may inhibit enzymatic reactions like DNA sequencing. Repurify the plasmid DNA and elute with Buffer AE or nuclease-free water. Alternatively, the plasmid DNA may be precipitated with ethanol, and redissolved in Buffer AE or nuclease-free water.

*E. coli strains with high endogenous-nuclease levels are used as host*

- Perform the washing step with Buffer AW before washing with ethanolic Buffer A4.

*Not enough DNA used for sequencing reactions*

- Quantitate DNA by agarose gel electrophoresis before setting up sequencing reactions.
-

## 6.2 Ordering information

Product	REF	Pack of
NucleoSpin® 8 Plasmid	740621	12 x 8 preps
	740621 .5	60 x 8 preps
NucleoSpin® 8 Plasmid Core Kit	740461 .4	48 x 8 preps
NucleoSpin® 96 Plasmid	740625 .1	1 x 96 preps
	740625 .4	4 x 96 preps
	740625 .24	24 x 96 preps
NucleoSpin® 96 Plasmid Core Kit	740616 .4	4 x 96 preps
	740616 .24	24 x 96 preps
Buffer A1 (without RNase A)	740911 .1	1 L
Buffer A2	740912 .1	1 L
Buffer A3	740913 .1	1 L
Buffer A4 Concentrate (for 1 L Buffer A4)	740914 .1	200 mL
Buffer AW	740916 .1	1 L
Buffer AE	740917 .1	1 L
RNase A (lyophilized)	740505	100 mg
NucleoVac 96 Vacuum Manifold	740681	1
NucleoVac Vacuum Regulator	740641	1
Starter Set A (for processing NucleoSpin® 8-well strips on NucleoVac 96 Vacuum Manifold)	740682	1
Starter Set C (for processing NucleoSpin® 8-well strips under centrifugation)	740684	1
Round-well Block with Cap Strips	740475	4 sets
	740475 .24	24 sets

Product	REF	Pack of
Rack of Tube Strips (1 set consists of 1 rack, 12 strips with 8 tubes each, and 12 Cap Strips)	740477 740477 .24	4 sets 24 sets
Cap Strips	740478 740478 .24	48 288
MN Square-well Block	740476 740476 .24	4 24
MN Wash Plate	740479 740479 .24	4 24
Culture Plate (with Gas-permeable Foil)	740488 740488 .24	4 sets 24 sets
Elution Plate U-bottom (with Self-adhering Foil)	740486 .24	24 sets
Gas-permeable Foil	740675	50
Self-adhering Foil	740676	50

Visit [www.mn-net.com](http://www.mn-net.com) for more detailed product information.

## 6.4 Product use restriction/warranty

**NucleoSpin® 8 Plasmid (Core Kit)** components are intended, developed, designed, and sold FOR RESEARCH PURPOSES ONLY, except, however, any other function of the product being expressly described in original MACHEREY-NAGEL product leaflets.

MACHEREY-NAGEL products are intended for GENERAL LABORATORY USE ONLY! MACHEREY-NAGEL products are suited for QUALIFIED PERSONNEL ONLY! MACHEREY-NAGEL products shall in any event only be used wearing adequate PROTECTIVE CLOTHING. For detailed information please refer to the respective Material Safety Data Sheet of the product! MACHEREY-NAGEL products shall exclusively be used in an ADEQUATE TEST ENVIRONMENT. MACHEREY-NAGEL does not assume any responsibility for damages due to improper application of our products in other fields of application. Application on the human body is STRICTLY FORBIDDEN. The respective user is liable for any and all damages resulting from such application.

DNA/RNA/PROTEIN purification products of MACHEREY-NAGEL are suitable for *IN-VITRO*-USES ONLY!

ONLY MACHEREY-NAGEL products specially labeled as IVD are also suitable for *IN-VITRO*-diagnostic use. Please pay attention to the package of the product. *IN-VITRO*-diagnostic products are expressly marked as IVD on the packaging.

IF THERE IS NO IVD SIGN, THE PRODUCT SHALL NOT BE SUITABLE FOR *IN-VITRO*-DIAGNOSTIC USE!

ALL OTHER PRODUCTS NOT LABELED AS IVD ARE NOT SUITED FOR ANY CLINICAL USE (INCLUDING, BUT NOT LIMITED TO DIAGNOSTIC, THERAPEUTIC AND/OR PROGNOSTIC USE).

No claim or representations is intended for its use to identify any specific organism or for clinical use (included, but not limited to diagnostic, prognostic, therapeutic, or blood banking). It is rather in the responsibility of the user or - in any case of resale of the products - in the responsibility of the reseller to inspect and assure the use of the DNA/RNA/protein purification products of MACHEREY-NAGEL for a well-defined and specific application.

MACHEREY-NAGEL shall only be responsible for the product specifications and the performance range of MN products according to the specifications of in-house quality control, product documentation and marketing material.

This MACHEREY-NAGEL product is shipped with documentation stating specifications and other technical information. MACHEREY-NAGEL warrants to meet the stated specifications. MACHEREY-NAGEL's sole obligation and the customer's sole remedy is limited to replacement of products free of charge in the event products fail to perform as warranted. Supplementary reference is made to the general business terms and conditions of MACHEREY-NAGEL, which are printed on the price list. Please contact us if you wish to get an extra copy.

There is no warranty for and MACHEREY-NAGEL is not liable for damages or defects arising in shipping and handling (transport insurance for customers excluded), or out of accident or improper or abnormal use of this product; defects in products or components not manufactured by MACHEREY-NAGEL, or damages resulting from such non-MACHEREY-NAGEL components or products.

MACHEREY-NAGEL makes no other warranty of any kind whatsoever, and SPECIFICALLY DISCLAIMS AND EXCLUDES ALL OTHER WARRANTIES OF ANY KIND OR NATURE WHATSOEVER, DIRECTLY OR INDIRECTLY, EXPRESS OR IMPLIED, INCLUDING, WITHOUT LIMITATION, AS TO THE SUITABILITY, REPRODUCTIVITY, DURABILITY, FITNESS FOR A PARTICULAR PURPOSE OR USE, MERCHANTABILITY, CONDITION, OR ANY OTHER MATTER WITH RESPECT TO MACHEREY-NAGEL PRODUCTS.

In no event shall MACHEREY-NAGEL be liable for claims for any other damages, whether direct, indirect, incidental, compensatory, foreseeable, consequential, or special (including but not limited to loss of use, revenue or profit), whether based upon warranty, contract, tort (including negligence) or strict liability arising in connection with the sale or the failure of MACHEREY-NAGEL products to perform in accordance with the stated specifications. This warranty is exclusive and MACHEREY-NAGEL makes no other warranty expressed or implied.

The warranty provided herein and the data, specifications and descriptions of this MACHEREY-NAGEL product appearing in MACHEREY-NAGEL published catalogues and product literature are MACHEREY-NAGEL's sole representations concerning the product and warranty. No other statements or representations, written or oral, by MACHEREY-NAGEL's employees, agent or representatives, except written statements

signed by a duly authorized officer of MACHEREY-NAGEL are authorized; they should not be relied upon by the customer and are not a part of the contract of sale or of this warranty.

Product claims are subject to change. Therefore please contact our Technical Service Team for the most up-to-date information on MACHEREY-NAGEL products. You may also contact your local distributor for general scientific information. Applications mentioned in MACHEREY-NAGEL literature are provided for informational purposes only. MACHEREY-NAGEL does not warrant that all applications have been tested in MACHEREY-NAGEL laboratories using MACHEREY-NAGEL products. MACHEREY-NAGEL does not warrant the correctness of any of those applications.

Last updated: 07/2010, Rev. 03

Please contact:  
MACHEREY-NAGEL GmbH & Co. KG  
Tel.: +49 (0) 24 21 969 270  
e-mail: tech-bio@mn-net.com

---

**Trademarks/Disclaimer:**

NucleoSpin® is a registered trademark of MACHEREY-NAGEL GmbH & Co. KG

All used names and denotations can be brands, trademarks, or registered labels of their respective owner – also if they are not special denotation. To mention products and brands is only a kind of information (i.e., it does not offend against trademarks and brands and can not be seen as a kind of recommendation or assessment). Regarding these products or services we can not grant any guarantees regarding selection, efficiency, or operation.