



Processing of 8-well strips under centrifugation

User manual

Starter Set C

February 2006/Rev. 02

MACHEREY-NAGEL



Table of contents

1	Kit contents	4
2	Product description	4
3	Handling	4
4	Appendix	6
4.1	Troubleshooting	6
4.2	Ordering information	7
4.3	Product use restriction / warranty	8

1 Kit contents

	Starter Set C
Cat. No.	740 684
Column Holder C	2
MN Square-well Block	2
MN Tube Strips	2 racks
Protocol	1

2 Product description

The Starter Set C is designed for the use of the NucleoSpin® 8-well strips under centrifugation using suitable centrifuges with a swinging bucket rotor capable to accommodate the NucleoSpin® Binding Strip/Square-well Block sandwich (bucket height: 85 mm), e.g. Hermle Z 513/Z 513 K, Jouan KR4i, Heraeus Kendro Multifuge 3/3-R, Beckman Coulter Allegra 25R, Hettich Rotanta 460 series, Sigma 4-15/4K15/6-15/6K15.

The set contains two Column Holders C to hold the NucleoSpin® 8-well strips on top of the MN Square-well Block during centrifugation for binding, washing and drying. During elution the Column Holder C is used to hold the NucleoSpin® 8-well strips on top of a rack with MN Tube Strips. Only the corresponding number of MN Tube Strips for elution is inserted. The empty rows have to be filled with MN Tube Strips supplied in the Starter Kit C.

The system allows flexible processing of the NucleoSpin® 8 Kits by using one to 12 strips per run. It is required to use both Column Holders C and split the strips between them to fill both buckets of the rotor equally to prevent centrifuge imbalances. Make sure that the centrifuge is properly balanced.

3 Handling

The desired number of 8-well strips is placed in the Column Holder C. The Column Holder is then rested on top of an MN Square-well Block, collecting the waste during centrifugation (Figure A).

For elution, the Column Holder C with the NucleoSpin® 8 strips is rested on top of the rack with MN Tubes strips during centrifugation. Insert MN Tube Strips supplied with the NucleoSpin® 8 kit in rows underneath the NucleoSpin® 8 Strips. The other rows have to be filled with the MN Tube Strips supplied in the Starter Set C to level the Column Holder C on the rack. This prevents contamination of MN Tube Strips from the kit intended for later use (Figure B).

If using a kit with filter and binding strips, the flow-through of the filtration step has to be collected in a MN Square-well Block and can then be transferred to the binding Strip in a separate step.

Figure A: Set-up during binding/washing/elution steps

NucleoSpin® Binding Strips
in Column Holder C

MN Square-well Block

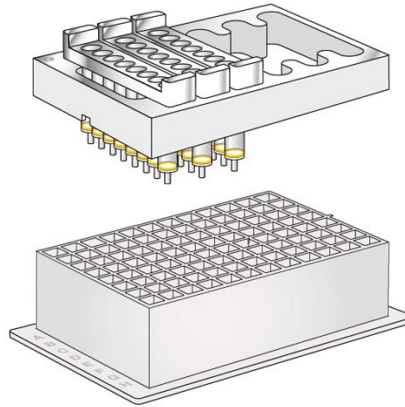
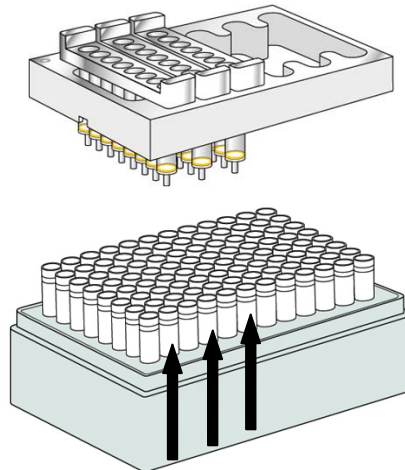


Figure B: Set-up during elution

NucleoSpin® Binding Strips
in Column Holder C

MN Tube Strips for Elution
Note: During centrifugation,
fresh MN Tube Strips are
aligned under the 8-well strips
to collect the eluate (↑). The
other rows have to be filled
with the MN Tube Strips supplied
in the Starter Set C to level the
Column Holder C on the rack.



Column Holder C



4 Appendix

4.1 Troubleshooting

Problem	Possible cause and suggestions
Broken MN Tube Strips, Column Holder C, or NucleoSpin [®] 8-well strips	<p><i>Sandwich not properly assembled</i></p> <ul style="list-style-type: none">• Do not exceed recommended centrifugation speed and force as specified with your centrifuge and the MN kit protocol.• Make sure that the rack is completely filled with MN Tube Strips during the centrifugation step to properly level the Column Holder C holding the NucleoSpin[®] 8-well strips.

4.2 Ordering information

Product	Cat. No.	Pack of
Starter Set A For use of the NucleoSpin® 8 Kits on the NucleoVac 96 or other 96- well plate manifolds	740 682	1 Set
Starter Set B For use of the NucleoSpin® 8 Kits on the Qiagen BioRobots®	740 683	1 Set
Starter Set C For use of the NucleoSpin® 8 Kits under centrifugation	740 684	1 Set
MN Square-well Blocks	740 678	20
MN Dummy Strips	740 685	6
MN Wash Plate	740 675	20
Self-adhering PE Foil	740 676	50
NucleoVac 96 Vacuum Manifold	740 681	1
Vacuum Regulator	740 641	1
Rubber Pad	740 640	2

4.3 Product use restriction / warranty

Starter Set C components were developed, designed and sold **for research purposes only**. They are suitable **for in vitro uses only**. Furthermore is no claim or representation intended for its use to identify any specific organism or for clinical use (diagnostic, prognostic, therapeutic, or blood banking).

It is rather in the responsibility of the user to verify the use of the **Starter Set C** for a specific application range as the performance characteristic of this kit has not been verified to a specific organism.

This MACHEREY-NAGEL product is shipped with documentation stating specifications and other technical information. MACHEREY-NAGEL guarantees to meet the stated specifications. MACHEREY-NAGEL's sole obligation and the customer's sole remedy is limited to replacement of products free of charge in the event products fail to perform as warranted. Supplementary reference is made to the general business terms and conditions of MACHEREY-NAGEL, which are printed on the price list. Please contact us if you wish an extra copy.

MACHEREY-NAGEL does not warrant against damages or defects arising in shipping and handling (transport insurance for customers excluded), or out of accident or improper or abnormal use of this product; against defects in products or components not manufactured by MACHEREY-NAGEL, or against damages resulting from such non-MACHEREY-NAGEL components or products.

MACHEREY-NAGEL makes no other warranty of any kind whatsoever, and SPECIFICALLY DISCLAIMS AND EXCLUDES ALL OTHER WARRANTIES OF ANY KIND OR NATURE WHATSOEVER, DIRECTLY OR INDIRECTLY, EXPRESS OR IMPLIED, INCLUDING, WITHOUT LIMITATION, AS TO THE SUITABILITY, PRODUCTIVITY, DURABILITY, FITNESS FOR A PARTICULAR PURPOSE OR USE, MERCHANTABILITY, CONDITION, OR ANY OTHER MATTER WITH RESPECT TO MACHEREY-NAGEL PRODUCTS.

In no event shall MACHEREY-NAGEL be liable for claims for any other damages, whether direct, incidental, foreseeable, consequential, or special (including but not limited to loss of use, revenue or profit), whether based upon warranty, contract, tort (including negligence) or strict liability arising in connection with the sale or the failure of MACHEREY-NAGEL products to perform in accordance with the stated specifications.

The warranty provided herein and the data, specifications and descriptions of this MACHEREY-NAGEL product appearing in MACHEREY-NAGEL published catalogues and product literature are MACHEREY-NAGEL's sole representations concerning the product and warranty. No other statements or representations, written or oral, by MACHEREY-NAGEL's employees, agent or representatives, except written statements signed by a duly authorized officer of MACHEREY-NAGEL are authorized; they should not be relied upon by the customer and are not a part of the contract of sale or of this warranty.

Product claims are subject to change. Therefore please contact our Technical Service Team for the most up-to-date information on MACHEREY-NAGEL products. You may also contact your local distributor for general scientific information. Applications mentioned in MACHEREY-NAGEL literature are provided for informational purposes only. MACHEREY-NAGEL does not warrant that all applications have been tested in MACHEREY-NAGEL laboratories using

MACHEREY-NAGEL products. MACHEREY-NAGEL does not warrant the correctness of any of those applications.

Please contact:

MACHEREY-NAGEL Germany

Tel.: +49 (0) 24 21 969 270

e-mail: TECH-BIO@mn-net.com

BioRobot[®] is a registered trademark of Qiagen

All used names and denotations can be brands, trademarks or registered labels of their respective owner – also if they are not special denotation. To mention products and brands is only a kind of information, i.e. it does not offend against trademarks and brands and can not be seen as a kind of recommendation or assessment. Regarding these products or services we can not grant any guarantees regarding selection, efficiency or operation.